

FISHER & PAYKEL

DOUBLE DISHDRAWER™ DISHWASHER

DD60DI & DD60DHI models

INSTALLATION GUIDE

NZ AU GB IE

591383 B 07.18

⚠ WARNING!



Electrical shock hazard
 Before installing the dishwasher, remove the house fuse or open the circuit breaker. This appliance must be earthed. In the event of a malfunction or breakdown, earthing will reduce the risk of electric shock by providing a path of least resistance for electric current. This appliance is equipped with a cord having an equipment-earthing conductor and an earthing plug. The plug must be plugged into an appropriate outlet that is installed and earthed in accordance with all local codes and ordinances.

WARNING- Improper connection of the equipment-earthing conductor can result in a risk of electric shock. Check with a qualified electrician or service representative if you are in doubt as to whether the appliance is properly earthed.
 Do not modify the power supply plug provided with the appliance - if it will not fit the outlet, have a proper outlet installed by a qualified electrician. Do not use an extension cord, adapter plug or multiple outlet box.
 Failure to follow this advice may result in electrical shock or death.

⚠ WARNING!



Fitting integrated front panels requires access to electrical service areas.
 This work must be performed and certified by a qualified electrical service technician.

Electrical Shock Hazard
WARNING: To reduce the risk of electrical shock, fire, or injury to persons, the installer must ensure that the dishwasher is completely enclosed at the time of installation. Before fitting the front panels and connecting the integrated badges (where present), the installer must ensure that the dishwasher is disconnected from the power supply. After installing the front panels, the installer must ensure that the following components are electrically earthed: the panel bracket, the integrated badge (where present) and any custom metal component (e.g. handle) that extends past the rubber seal. Failure to follow these warnings may result in electrical shock, injury or fire.

⚠ WARNING!



Cut Hazard
 Take care - panel edges are sharp. Failure to use caution could result in injury or cuts.

IMPORTANT SAFETY INSTRUCTIONS

- Installation of this dishwasher requires basic mechanical and electrical skills.
- Be sure to leave these Instructions with the Customer.
- Installation must comply with your local building and electricity regulations.
- At the completion of the dishwasher installation, the Installer must perform the Final Checklist.
- Remove all packaging materials supplied with the dishwasher.
- This dishwasher is manufactured for indoor use only.
- Ensure all water connections are turned OFF. It is the responsibility of the plumber and electrician to ensure that each installation complies with all Codes and Regulations.
- The dishwasher MUST be installed to allow for future removal from the enclosure if service is required.
- The switched power outlet must be outside the dishwasher cavity, so that it is accessible after installation.
- Care should be taken when the appliance is installed or removed to reduce the likelihood of damage to the power supply cord and hoses.
- If the dishwasher is to be relocated from one installation to another it must be kept upright to avoid damage from water spillage.
- Make sure only new hoses are used for connection (supplied with the dishwasher). Old hoses should not be reused.
- Failure to install the dishwasher correctly could invalidate any warranty or liability claims.

IMPORTANT SAFETY INSTRUCTIONS

- Ensure the product is not plugged in when fitting custom panels.
- Installation of custom panels requires basic mechanical and electrical skills.
- Installation must comply with your local building and electricity regulations.
- Failure to install the custom panels correctly could invalidate any warranty or liability claims.

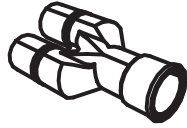
IMPORTANT! SAVE THESE INSTRUCTIONS

The models shown in this installation guide may not be available in all markets and are subject to change at any time. For current details about model and specification availability in your country, please go to our website www.fisherpaykel.com or contact your local Fisher & Paykel dealer.

② PARTS SUPPLIED



Drain hose support (1)



Drain hose joiner (1)



Wire clip (2)
(for securing
Drain hose joiner)



Clamp (1)
(for securing
Drain hose joiner)



Side mounting
bracket kit
(A and B) (2)
OPTIONAL



Top
mounting
brackets (2)
OPTIONAL



Phillips
16 mm
screws (9)



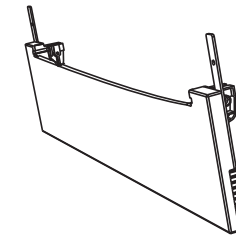
Rubber washer
for inlet hose (1)
(comes already
fitted)



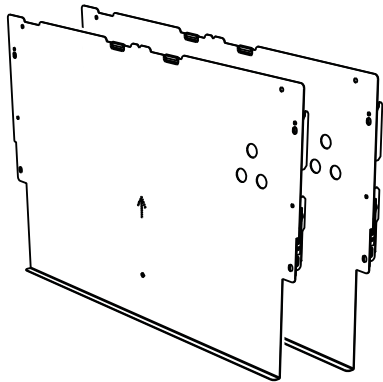
Moisture protection
tape (1)
(to prevent moisture
damage to cabinetry)



Hexagonal
socket for feet
adjustment (2)
(long & short)



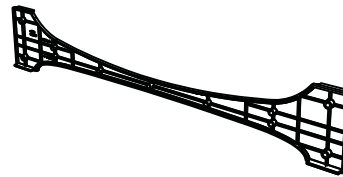
Prefinished toekick (1)



Panel bracket (2)
& Knock-to-Pause Module (2)
(shipped fixed to product)

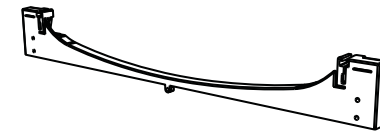


Panel mounting
screws (12)



Toekick panel cutting template (1)

(To enable a custom toekick panel to be
cut to fit the product profile dependant
on the depth of the toekick)



Toekick mounting bracket (1)

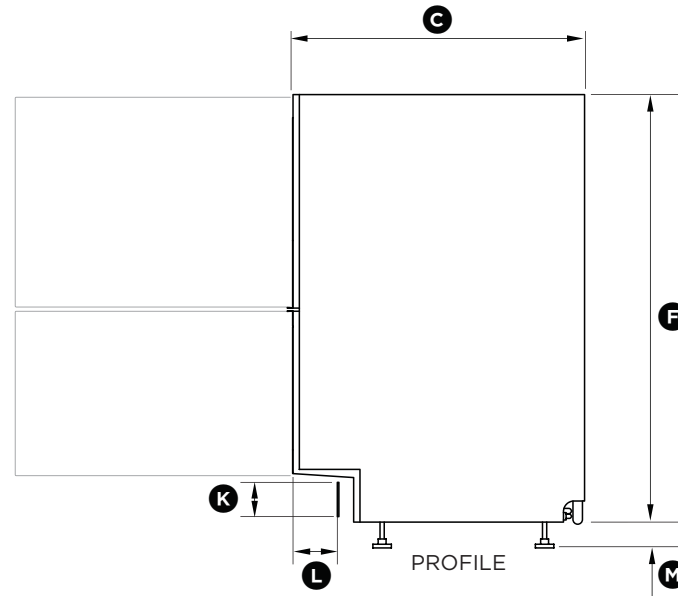
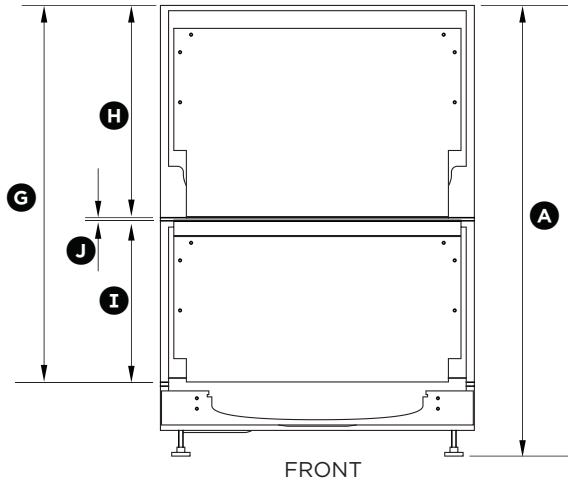
(A custom toekick panel of any material
with thickness 9 - 19mm can be screwed
to the Toekick mounting bracket)



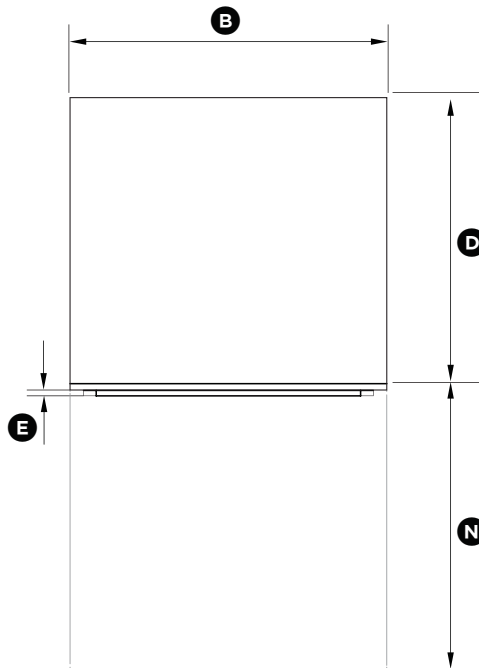
Toekick
mounting
screws (5)

If the Drain hoses supplied are not long enough to reach your services, you must use a Drain Hose Extension Kit P/N 525798 which will extend the drain hoses by 3.6 m. The kit is available from the nearest Fisher & Paykel Authorised Service Centre or our website.

3 PRODUCT DIMENSIONS



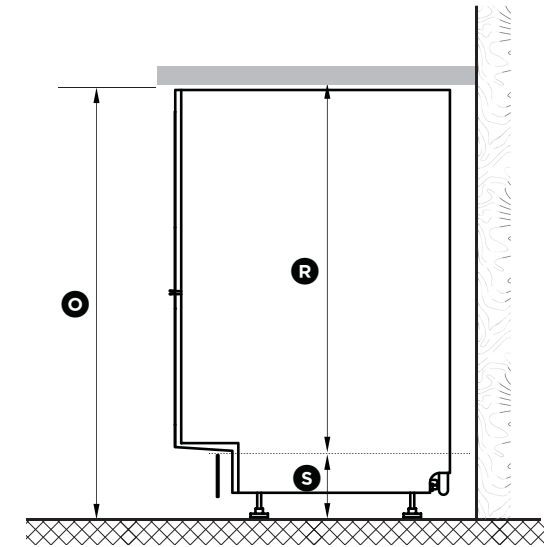
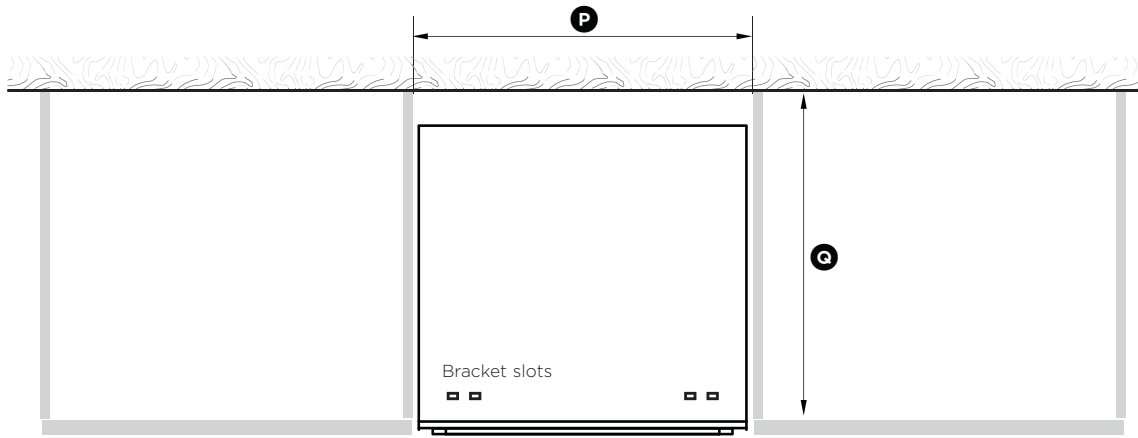
**DD60DI
DD60DHI**



PRODUCT DIMENSIONS		MM
(A)	Overall height of product ^{1,2}	820-880
(B)	Overall width of product	599
(C)	Overall depth of product ³	571
(D)	Depth of chassis (to back of front drawer panel)	553
(E)	Depth of drawer front panel	16-20
(F)	Height of chassis ¹	811
(G)	Height of drawer front panels	min. 717
(H)	Height of upper drawer front panel	min. 398
(I)	Height of lower drawer front panel	311-360
(J)	Ventilation gap between drawer front panels	8
(K)	Height of toe-kick (customisable)	58-118
(L)	Depth from front of drawer panel to front of toe-kick (adjustable) ^{4,5}	40-100
(M)	Height of leveling feet (adjustable) ²	9-69
(N)	Maximum extension of drawer ³	545

¹ includes 2mm high bracket slots ² depending on adjustment of leveling feet ³ assuming front panel thickness of 18mm
⁴ adjustable to match toe-kick recess on adjoining cabinetry
⁵ assuming custom toe-kick panel thickness of 18mm; if recess is between 50-84mm deep, the panel will need to be cut out - see step 'Custom panel calculations'

④ CABINETY DIMENSIONS



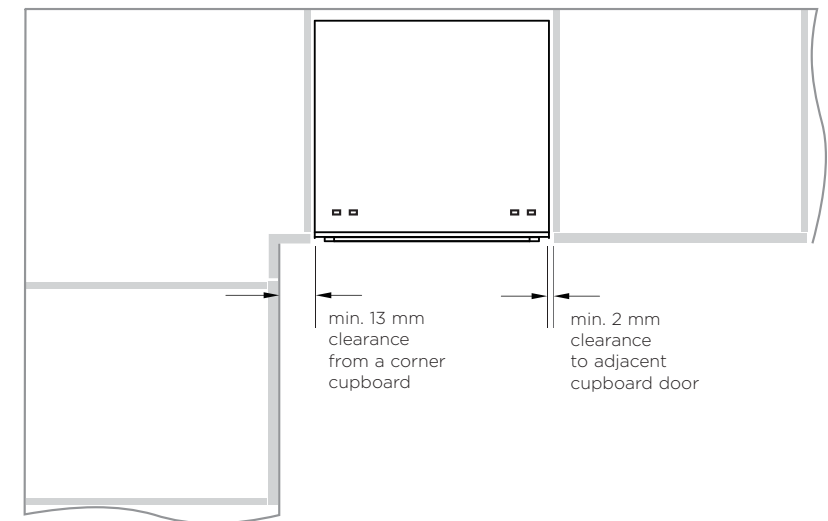
PLAN

PROFILE

CABINETY DIMENSIONS	DD60DI DD60DHI MM
ⓐ Inside height of cavity*	min. 820
Ⓟ Inside width of cavity	600
Ⓠ Inside depth of cavity	min. 560
Ⓡ Recommended height of adjacent cabinet space	720
Ⓢ Height of toekick space*	100-160

* depending on adjustment of levelling feet

Minimum clearances from adjacent cabinetry



5 CUSTOM DRAWER PANEL CALCULATIONS

FRONT PANEL MATERIAL SPECIFICATIONS

- 16 - 20mm panel thickness
- Adequately sealed to withstand moisture (50°C @ 80% RH)
Because of it being a hot and wet environment generally, the back and sides of the panel should be completely sealed with a waterproof vapour barrier (ie polyurethane) to prevent damage to the panel.
- The back of the panel (including any integrated handle) should be completely flush so that the seal between the panel and the rubber trim is maintained.
- Installation outside these specs may result in condensation on cabinetry surfaces.
- Maximum weight of each panel: 9kg

The following calculations assume the top of the upper panel is aligned with the top of the adjacent cabinetry.
The final panel/cabinetry alignment is achieved by adjusting the feet:

WIDTH OF ALL PANELS

Measure **A** (the width between adjacent door/drawer fronts) and write it in the first box below, then complete the equation.

Clearance to adjacent cabinet front

-

2x

=

(min. 2mm) (596 - 615mm)

HEIGHT OF THE UPPER PANEL

minimum height Upper Panel extension

398mm

+

=

(0mm recommended)

Note: The 'upper panel extension' **B** allows for the top of the upper panel to extend above the chassis where required, however a min. 2mm gap to the benchtop must be maintained.

HEIGHT OF THE LOWER PANEL

Measure **C** (door/drawer height (or equivalent)) and write it in the first box below, then complete the equation.

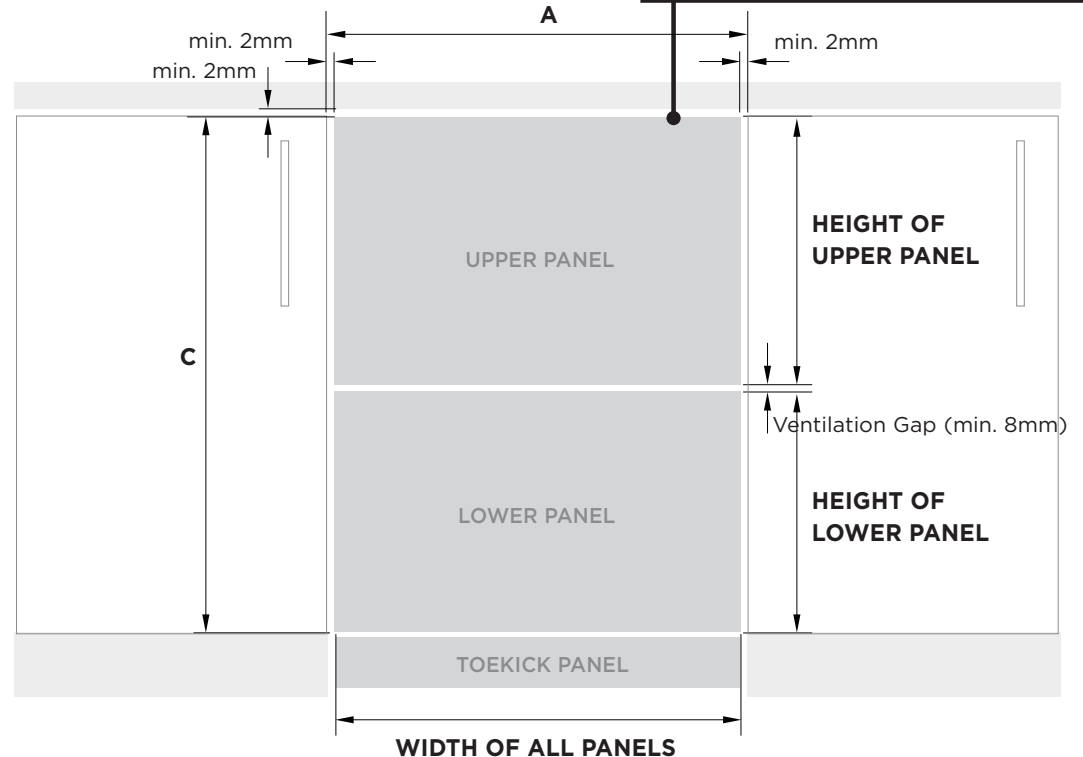
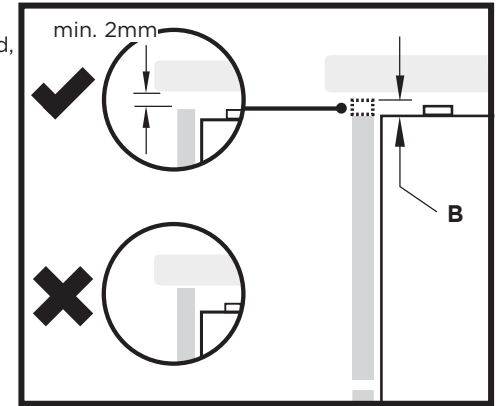
-

-

=

(min 717mm + **B**) (min. 8mm) (min. 311mm)

Note: The 'upper panel extension' **B** allows for the top of the upper panel to extend above the chassis where required, however a min. 2mm gap to the benchtop must be maintained.




6 CUSTOM TOEKICK PANEL CALCULATIONS

TOEKICK PANEL MATERIAL SPECIFICATIONS

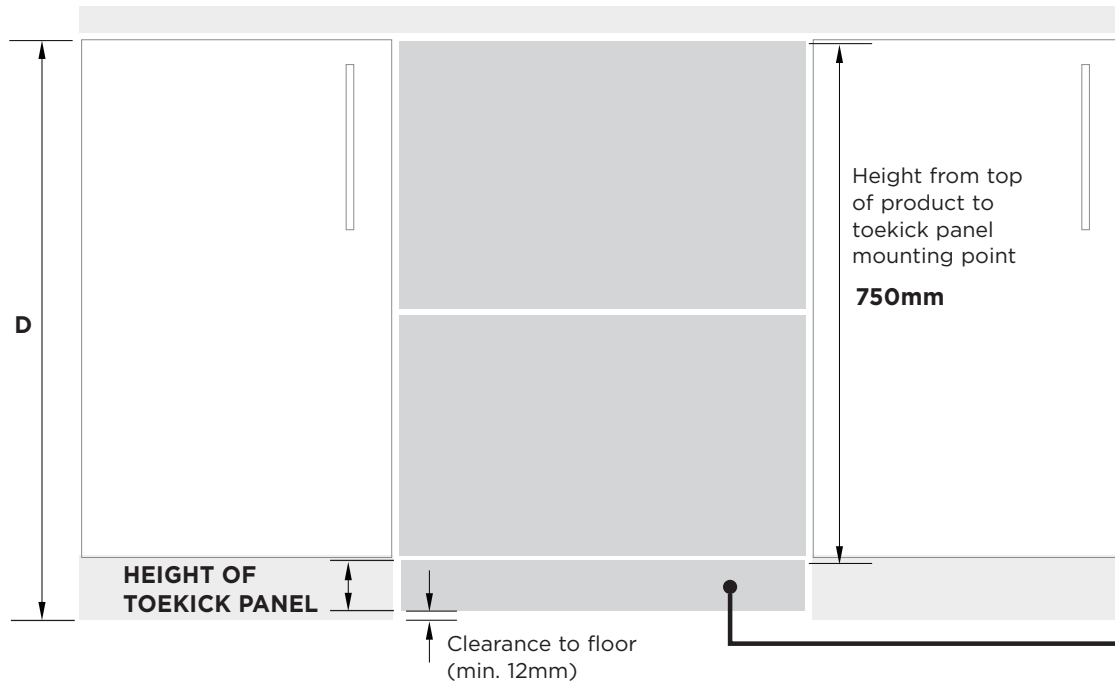
- min. 9mm panel thickness if using supplied screws
- Adequately sealed to withstand moisture (50°C @ 80% RH)
- You may choose to affix your custom toekick panel either by screwing it or gluing it to the supplied mounting bracket.

HEIGHT OF THE TOEKICK PANEL

Measure **D** (height from the top of adjacent cabinet door fronts to the floor) and write it in the first box below, then complete the equation.

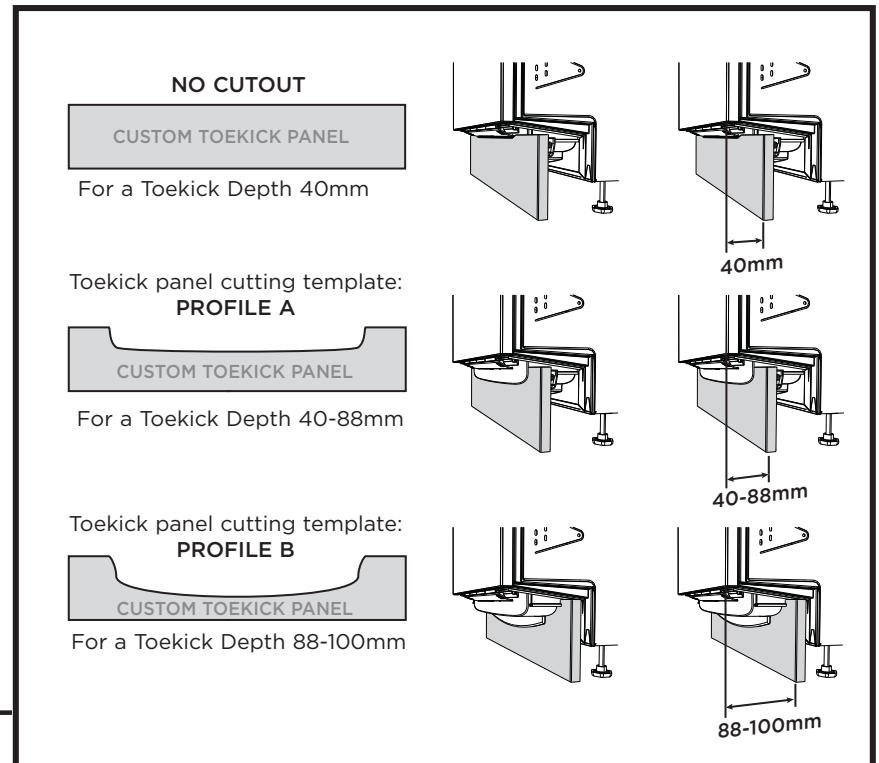


$$\begin{array}{ccccccc}
 \mathbf{D} & & \mathbf{B} & & \text{height from top of product to toekick panel mounting point} & & \mathbf{750mm} & & \text{Clearance to floor} & & \mathbf{HEIGHT OF TOEKICK PANEL} \\
 \boxed{} & - & \boxed{} & - & & - & \boxed{} & - & \boxed{} & = & \boxed{} \\
 & & \text{(0mm recommended)} & & & & & & \text{(min. 12mm)} & & \text{(min. 58mm)}
 \end{array}$$

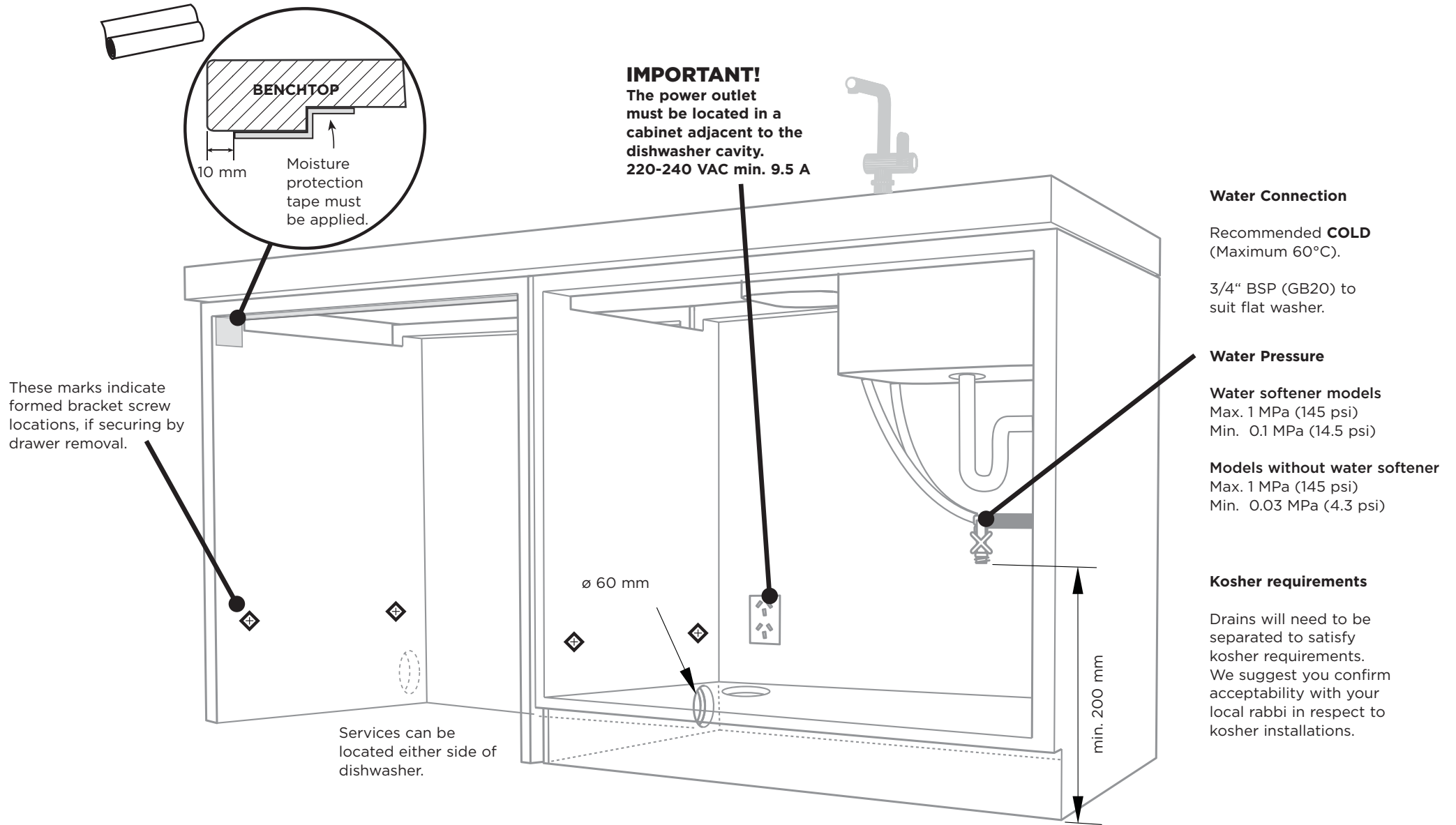


Depth is measured from FRONT of door panel (assuming thickness -18mm) to front face of custom toekick panel

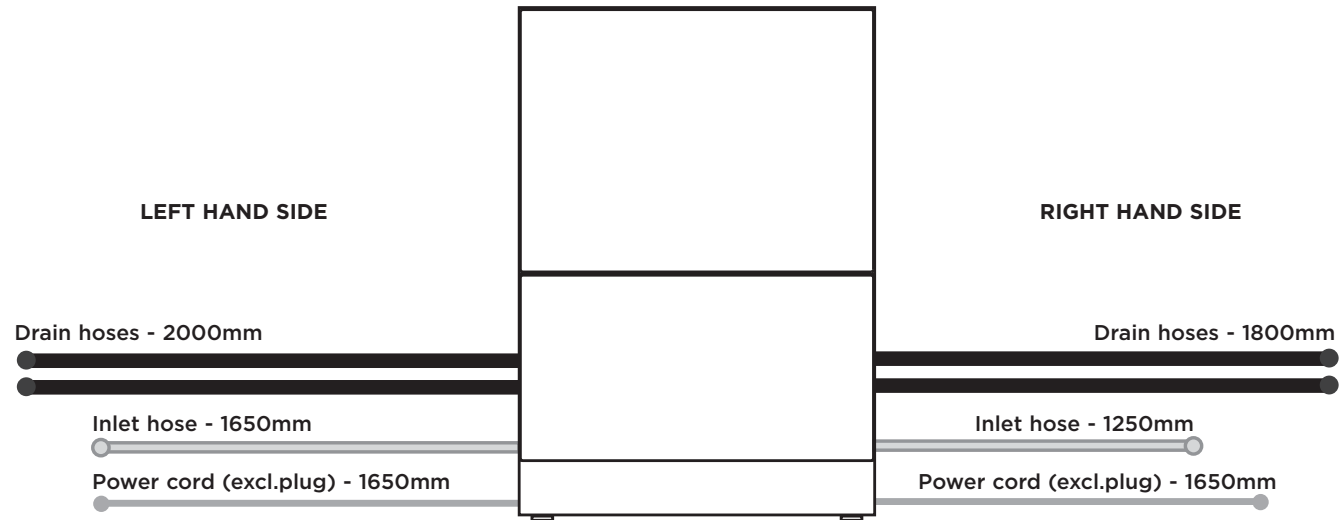
Toekick Depth



⑦ CAVITY PREPARATION

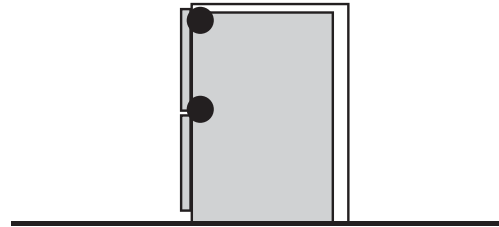


⑧ MAXIMUM DISTANCE OF HOSES & CORD FROM CHASSIS EDGE



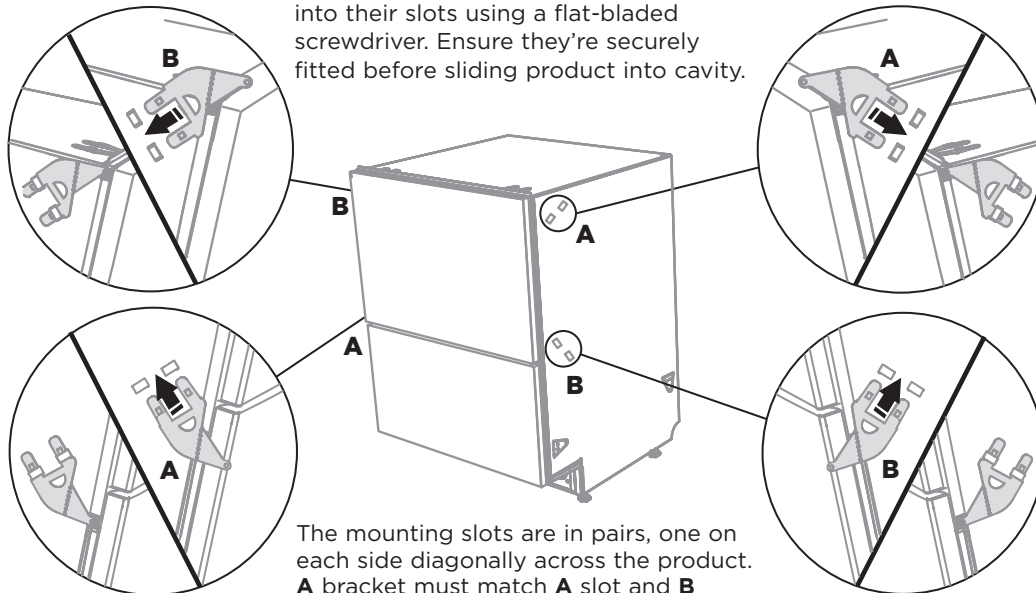
**NOW CHOOSE WHICH INSTALLATION METHOD (A) OR (B)
IS MORE SUITABLE FOR YOUR CABINETRY...**

9 - (A) RECOMMENDED METHOD (A) - SECURE WITHOUT DRAWER REMOVAL (FRAMELESS CABINETRY ONLY)

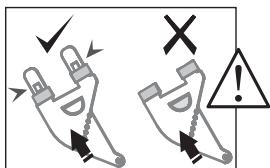


9 - (A) ATTACH SIDE MOUNTING BRACKETS

Clip all four side mounting brackets into their slots using a flat-bladed screwdriver. Ensure they're securely fitted before sliding product into cavity.



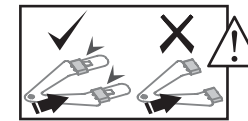
The mounting slots are in pairs, one on each side diagonally across the product. **A** bracket must match **A** slot and **B** bracket must match **B** slot.



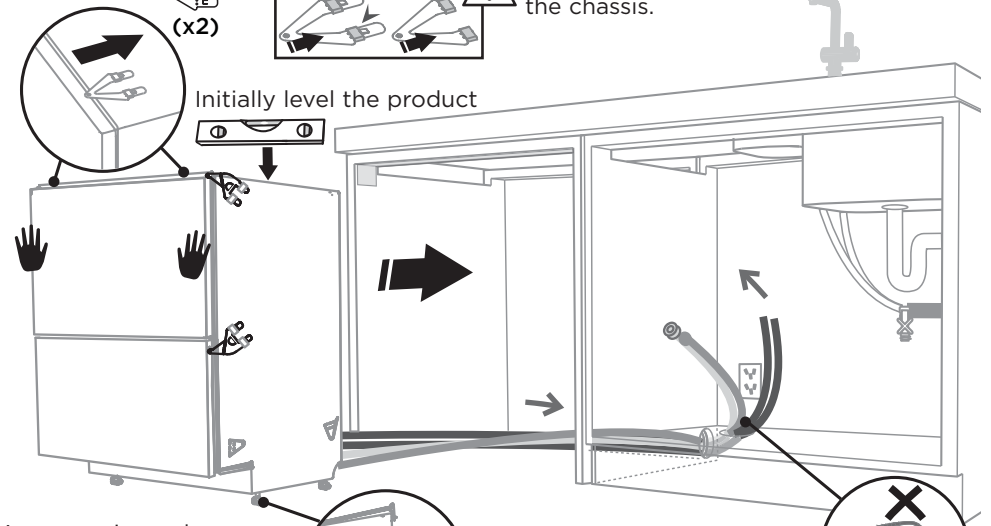
When fitting brackets, ensure the ends are not pushed down into the chassis.

10 - (A) PULL THROUGH HOSES & PUSH INTO THE CAVITY

optionally attach the two top mounting brackets (x2)



When fitting brackets, ensure the ends are not pushed down into the chassis.

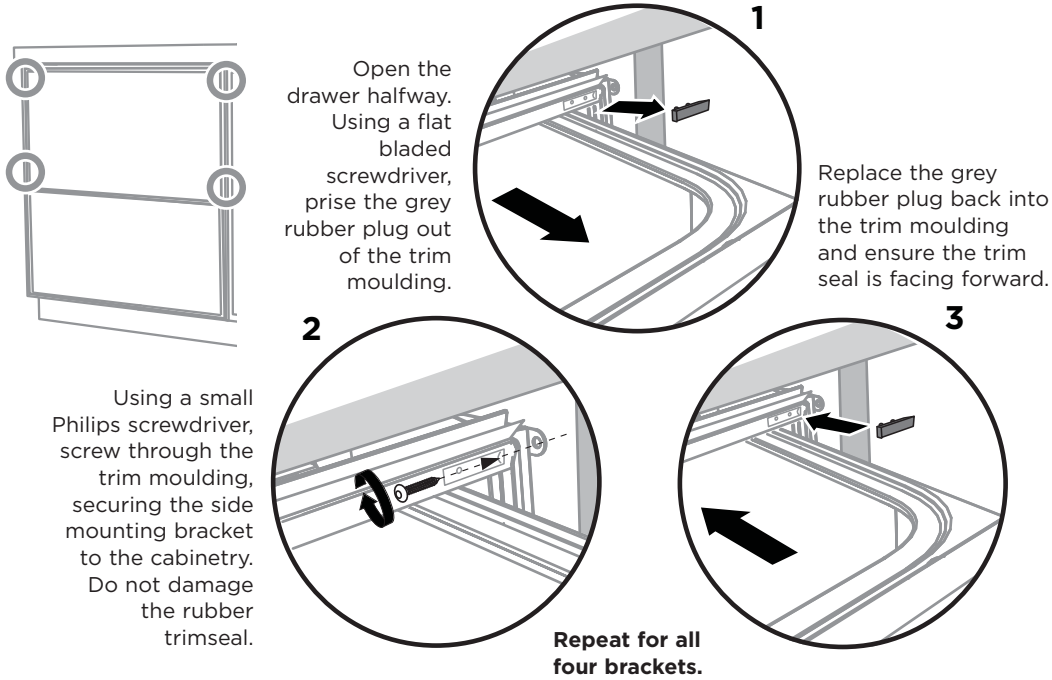


Initially level the product

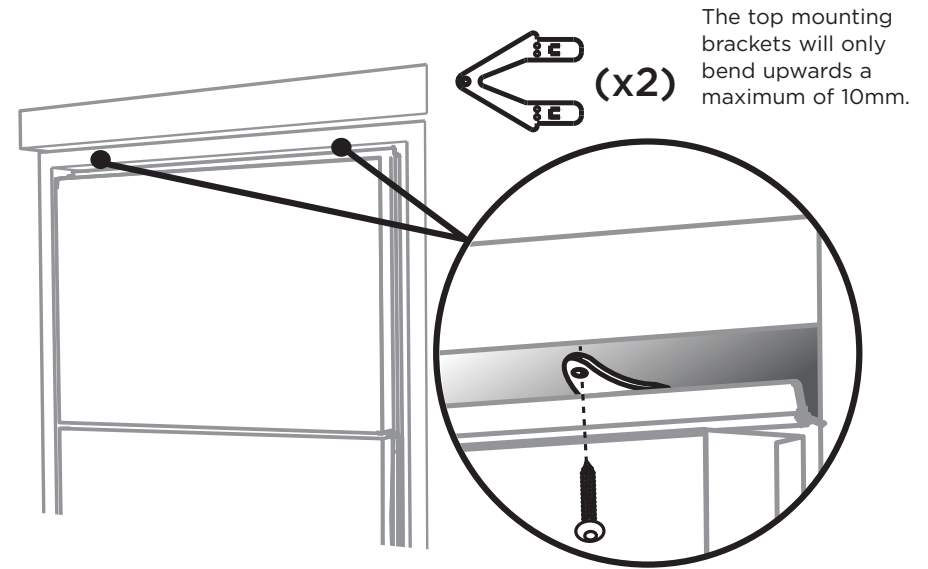
You can raise or lower the product by twisting the feet. Then take care when pushing the product into the cavity that you do not bend the feet.

As you push product in, pull through hoses and cord, ensuring they don't get kinked or twisted.

11-A SECURE TO THE CABINETRY ON THE SIDES

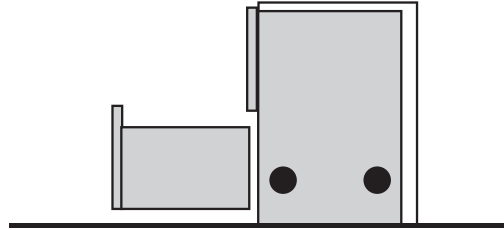


12-A OPTIONALLY SECURE TO THE CABINETRY ABOVE



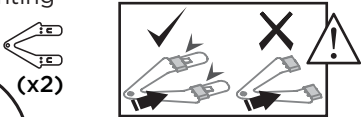
13-A AFTER SECURING, REFER TO 'FIT THE SUPPLIED TOEKICK PANEL' STEP

9 ALTERNATIVE METHOD (B) - SECURE BY DRAWER REMOVAL

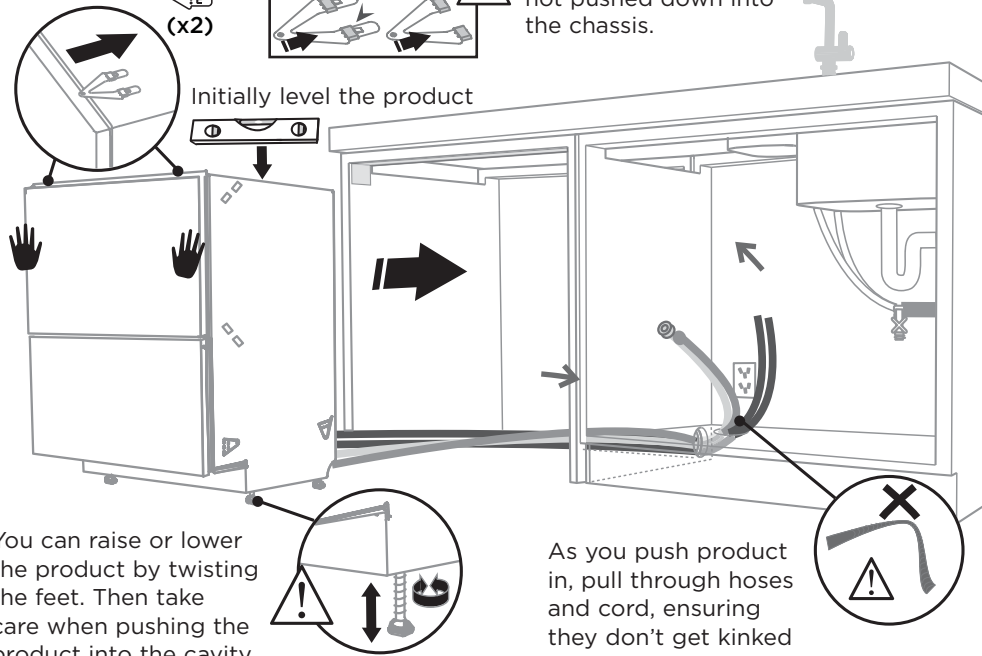


9-B PULL THROUGH HOSES & PUSH INTO THE CAVITY

optionally attach the two top mounting brackets



When fitting brackets, ensure the ends are not pushed down into the chassis.

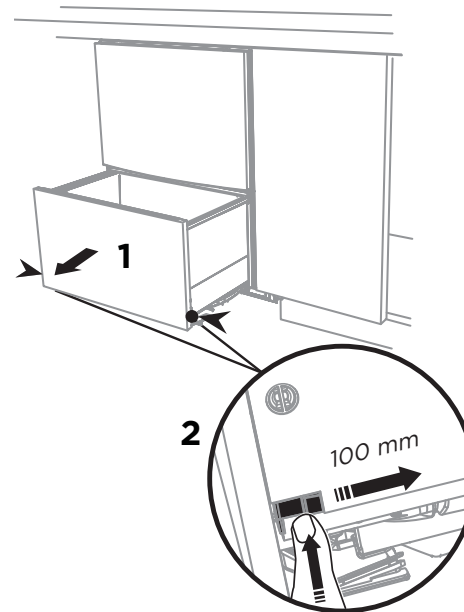


Initially level the product

As you push product in, pull through hoses and cord, ensuring they don't get kinked or twisted.

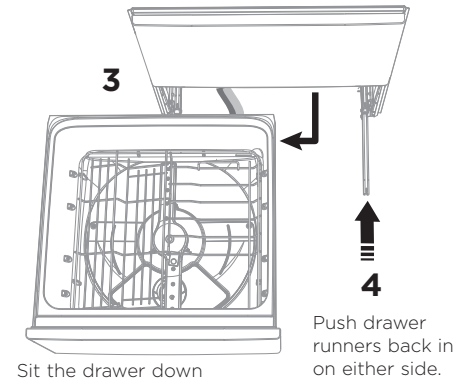
You can raise or lower the product by twisting the feet. Then take care when pushing the product into the cavity that you do not bend the feet.

10-B REMOVE THE LOWER DRAWER



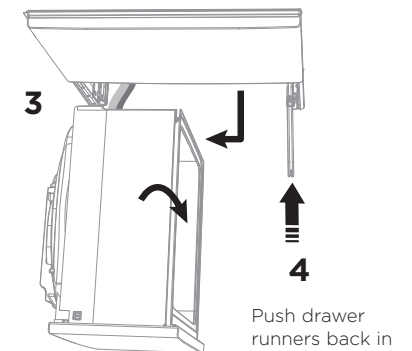
Press the release tabs in on either side and push back to release drawer from runners. Lift drawer off runners.

To prevent kinked hoses
Either sit the drawer down on the left hand side (recommended) or rotate the drawer clockwise, resting it on its side after removal.



Sit the drawer down

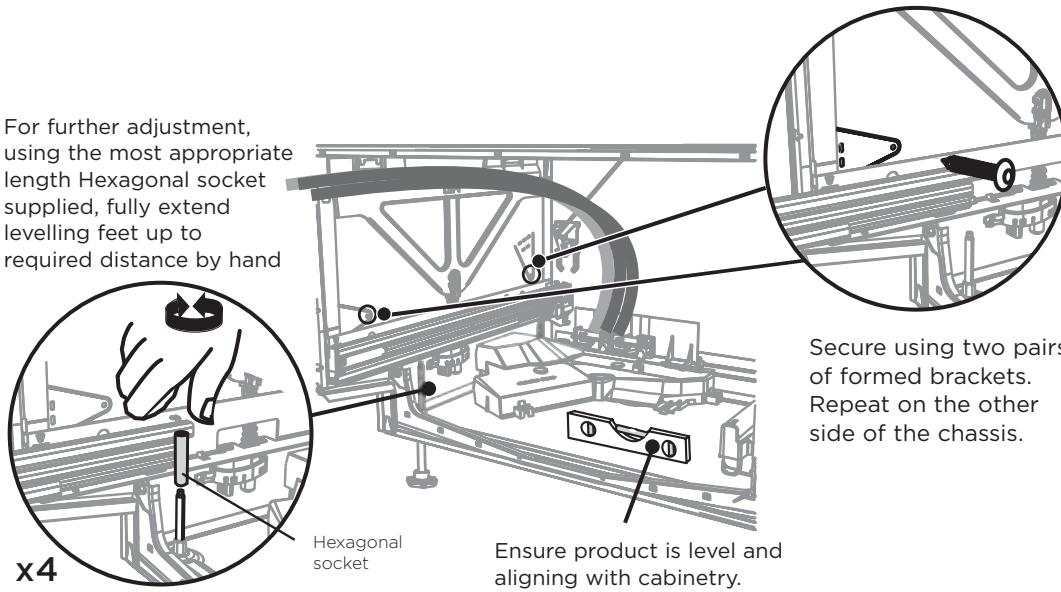
Push drawer runners back in on either side.



Rotate the drawer clockwise (max. 90°) and rest on side.

11-B SECURE TO THE CABINETRY ON THE SIDES

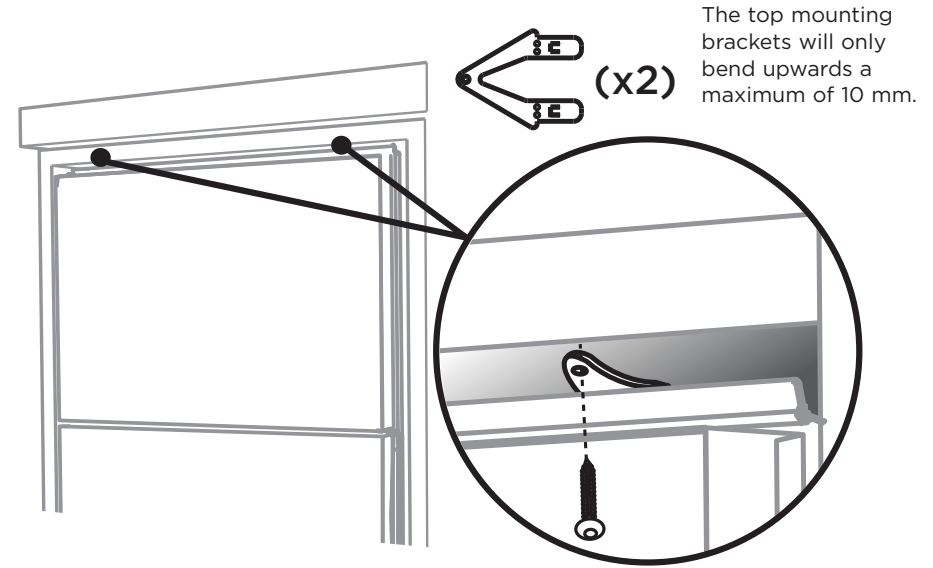
For further adjustment, using the most appropriate length Hexagonal socket supplied, fully extend levelling feet up to required distance by hand



Secure using two pairs of formed brackets. Repeat on the other side of the chassis.

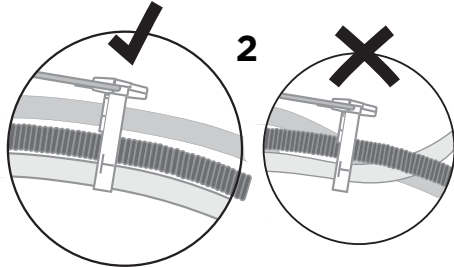
Ensure product is level and aligning with cabinetry.

12-B OPTIONALLY SECURE TO THE CABINETRY ABOVE

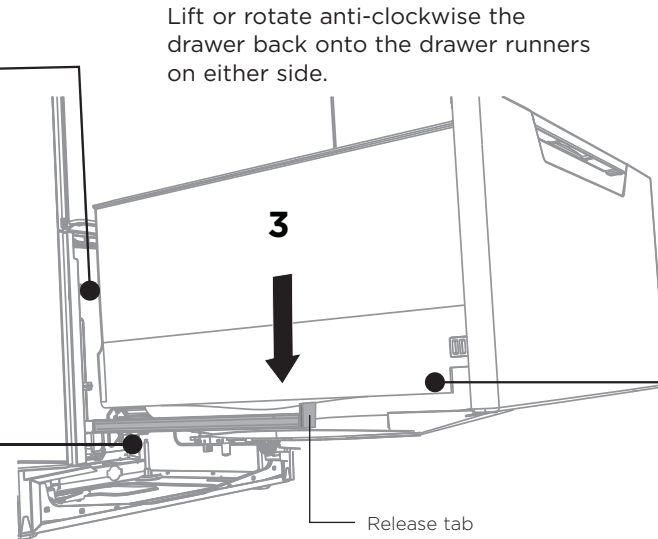
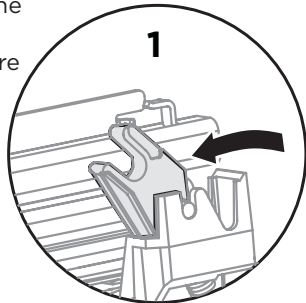


The top mounting brackets will only bend upwards a maximum of 10 mm.

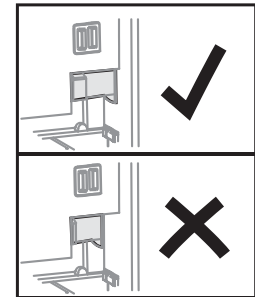
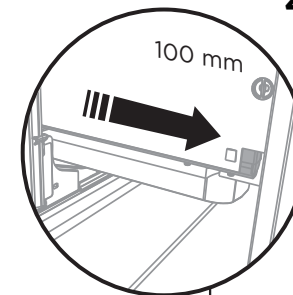
13-B REFIT THE DRAWER ONTO THE RUNNERS



Before refitting the drawer, ensure the hoses are not twisted and the latches at the rear of each drawer runner are facing forward.



Lift or rotate anti-clockwise the drawer back onto the drawer runners on either side.

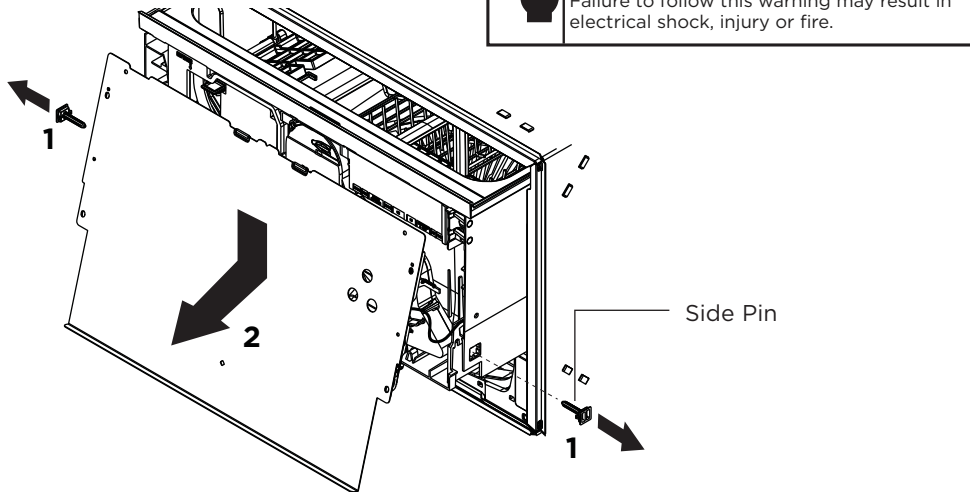


Pull the release tabs forward on both sides 100 mm. Ensure the tabs are fully pulled forward and click into place.

14 INSTALLING CUSTOM FRONT DRAWER PANELS

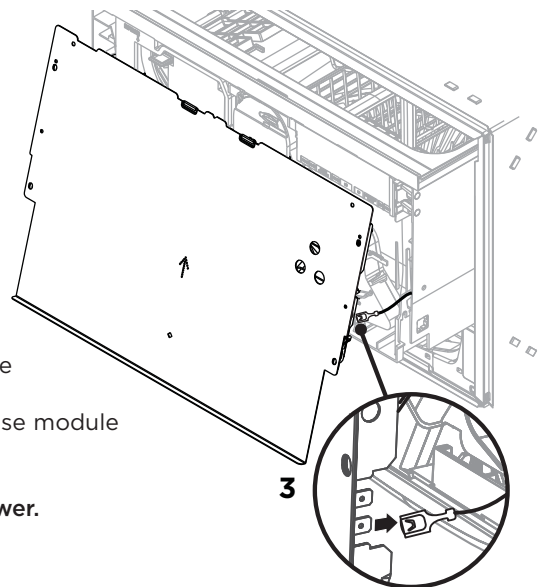
14-A REMOVE BOTH PANEL BRACKETS FROM PRODUCT

WARNING!
Electrical Shock Hazard
 Before continuing, ensure that the product is disconnected from the power supply. Failure to follow this warning may result in electrical shock, injury or fire.



Remove side pins and gently pull off the panel bracket slightly.

Repeat for the other drawer.

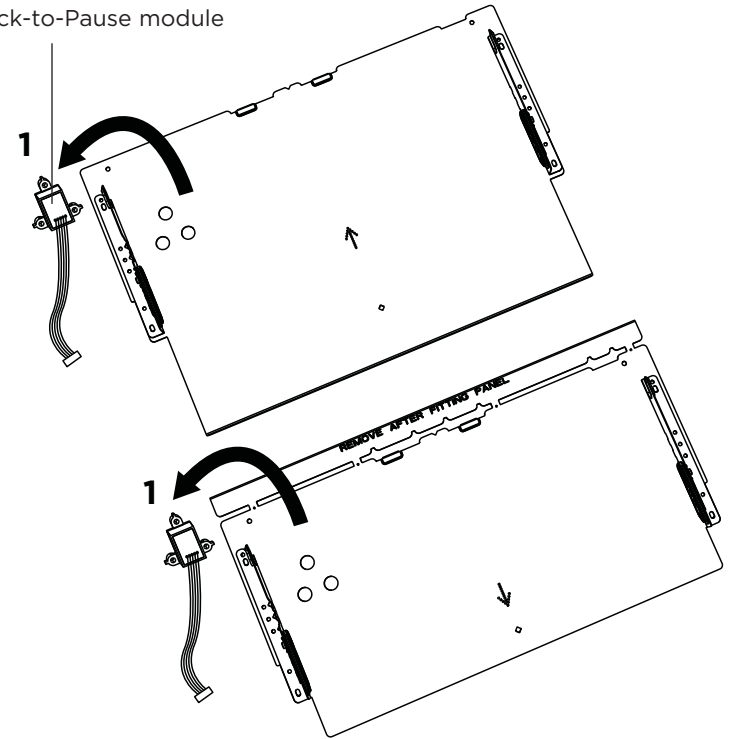


- ① Disconnect the Earth Wire from the bracket
- ② Unplug the Knock-to-Pause module from the controller.

Repeat for the other drawer.

14-B REMOVE THE KNOCK-TO-PAUSE MODULE

Knock-to-Pause module

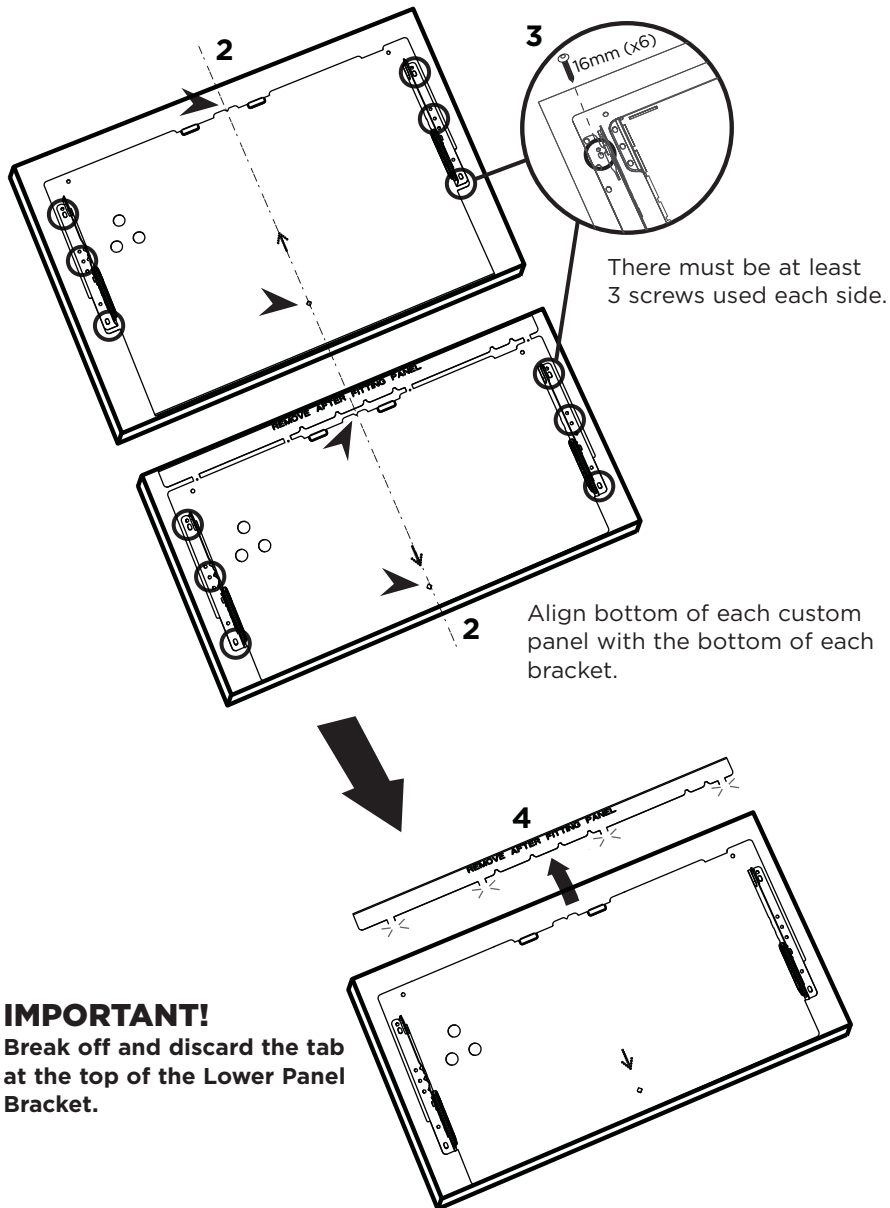


Remove the Knock-to-Pause module from the back of the bracket.

Repeat for the other bracket.

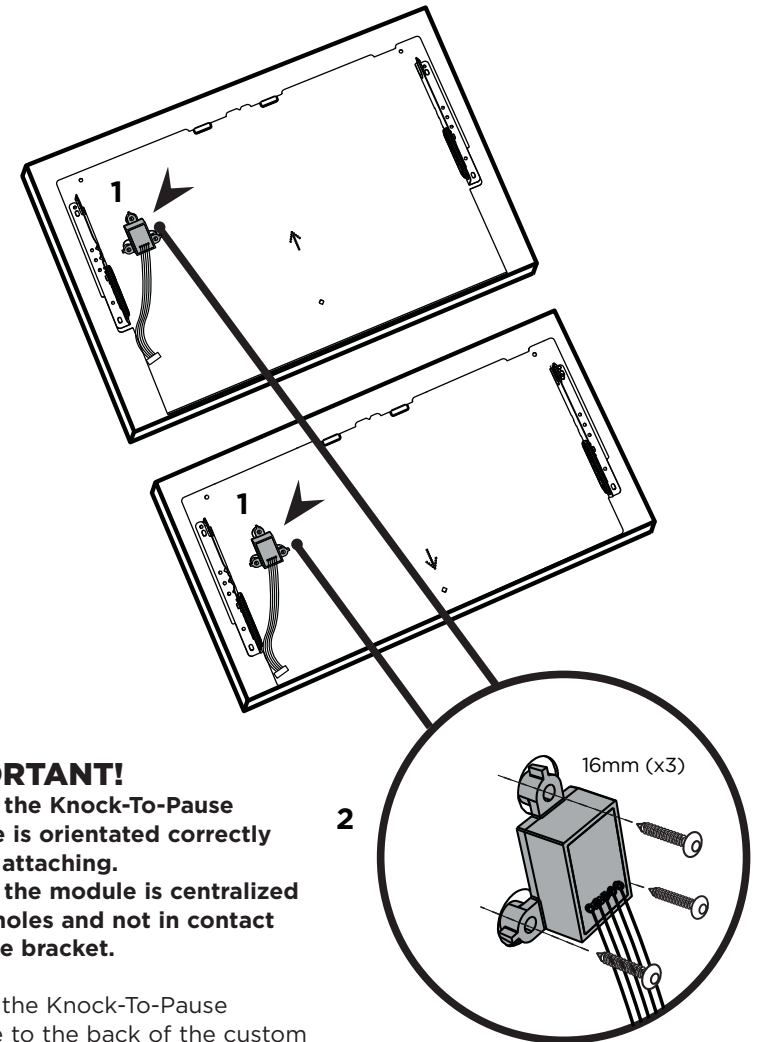
14 INSTALLING CUSTOM FRONT DRAWER PANELS

14-C ATTACH CUSTOM PANELS TO PANEL BRACKETS



IMPORTANT!
Break off and discard the tab at the top of the Lower Panel Bracket.

14-D ATTACH KNOCK-TO-PAUSE MODULES TO CUSTOM PANELS



IMPORTANT!

- Ensure the Knock-To-Pause module is orientated correctly before attaching.
- Ensure the module is centralized in the holes and not in contact with the bracket.

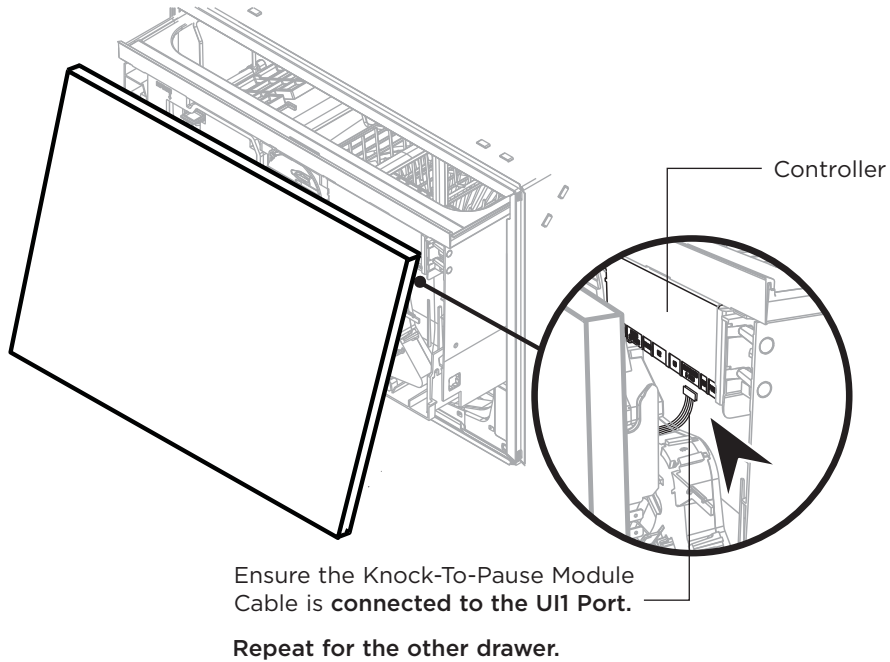
Attach the Knock-To-Pause module to the back of the custom panel through the 3 holes cut into the panel bracket as shown.

Use all 3 screws provided.

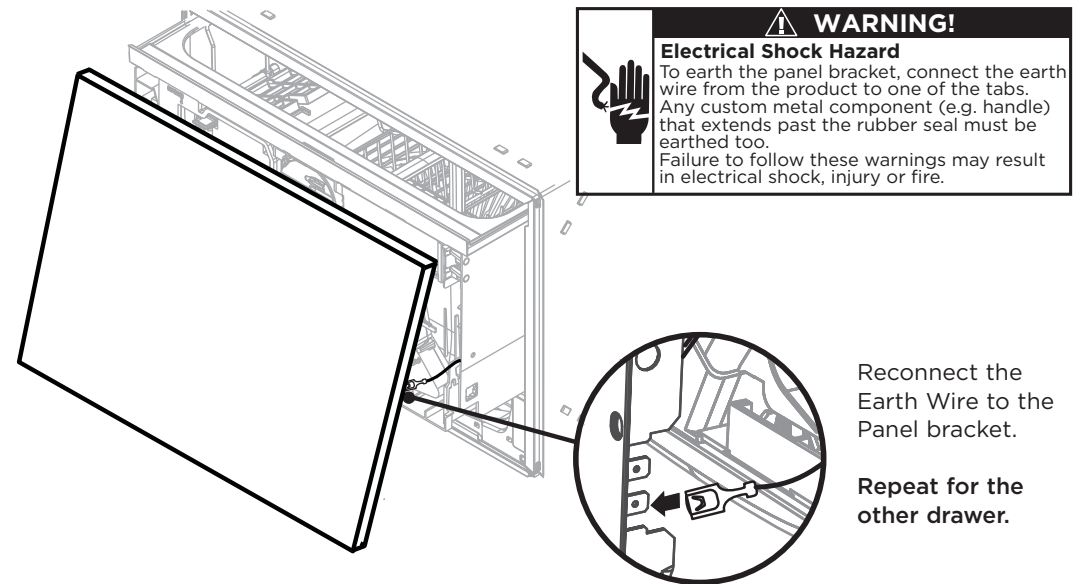
Repeat for the other module.

14 INSTALLING CUSTOM FRONT DRAWER PANELS

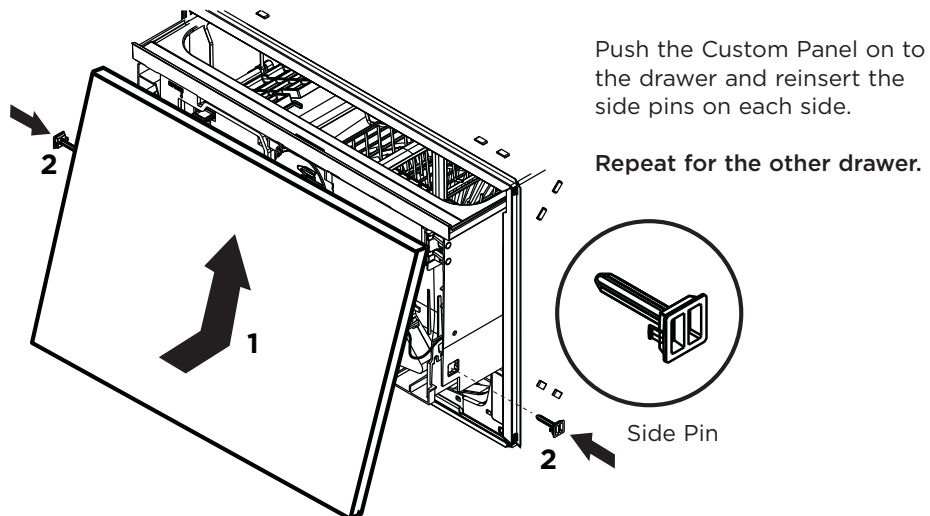
14-E CONNECT THE KNOCK-TO-PAUSE MODULE TO THE CONTROLLER



14-F RECONNECT THE EARTH WIRE TO THE PANEL BRACKET



14-G ATTACH CUSTOM PANELS TO PRODUCT



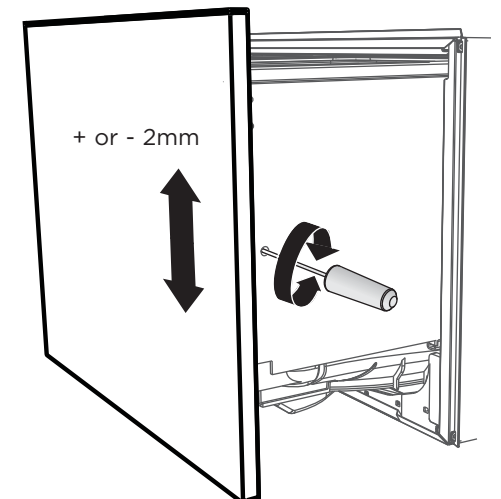
14-H ADJUST CUSTOM PANEL HEIGHT TO ALIGN CABINETY GAPS

With the front panels fitted, insert an appropriately sized Philips screwdriver into the hole above the side pin and rotate the panels up or down to align the gaps in your cabinetry.

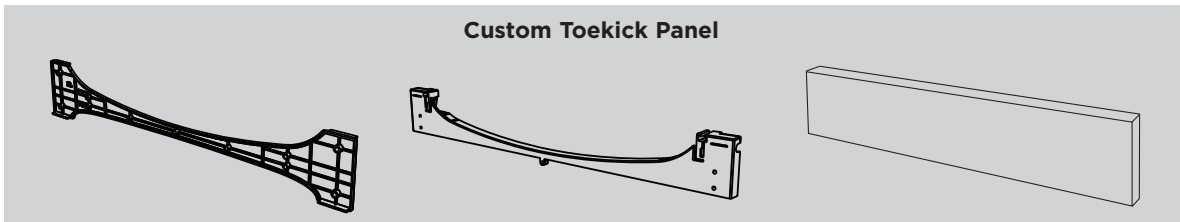
Repeat on the other side if necessary.

Each panel has a maximum travel of 2mm up or down.

IMPORTANT!
Ensure that you maintain a minimum of 8mm ventilation gap between the upper and lower panels.



Custom Toekick Panel



- 2 Place the Toekick panel cutting template onto your toekick panel. Ensure they are centered and the template rests on the top surface of the panel.
- 3 Secure template to panel either by clamping or using the supplied mounting screws.

Toekick Depth

NO CUTOUT
CUSTOM TOEKICK PANEL
For a Toekick Depth 40mm

40mm

Toekick panel cutting template: PROFILE A
CUSTOM TOEKICK PANEL
For a Toekick Depth 40-88mm

40-88mm

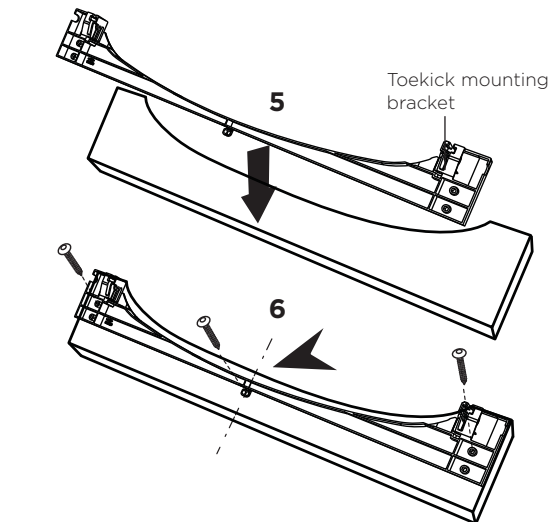
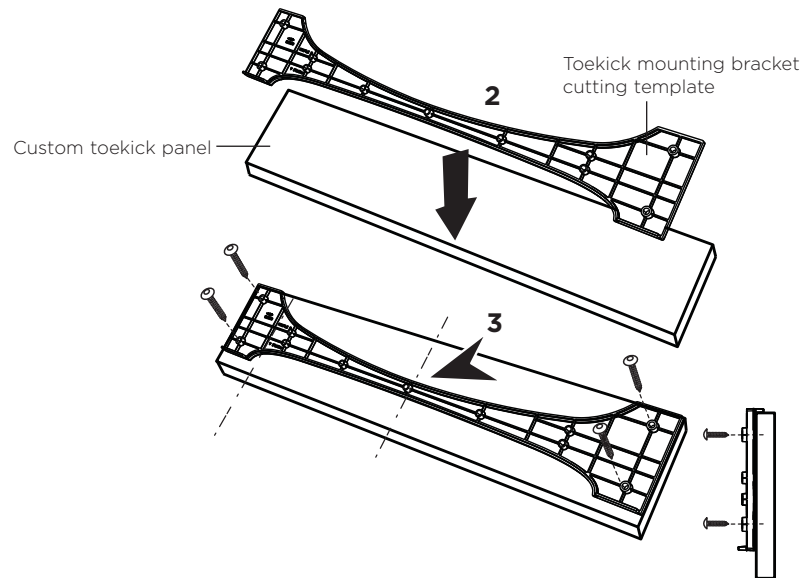
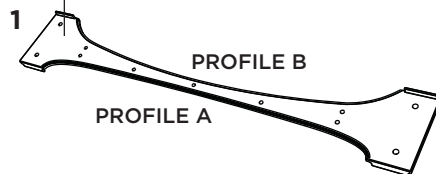
Toekick panel cutting template: PROFILE B
CUSTOM TOEKICK PANEL
For a Toekick Depth 88-100mm

88-100mm

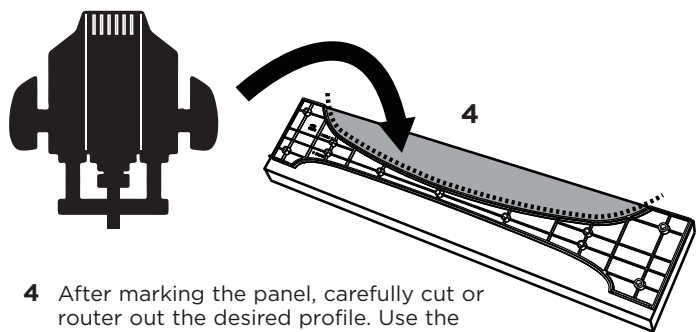
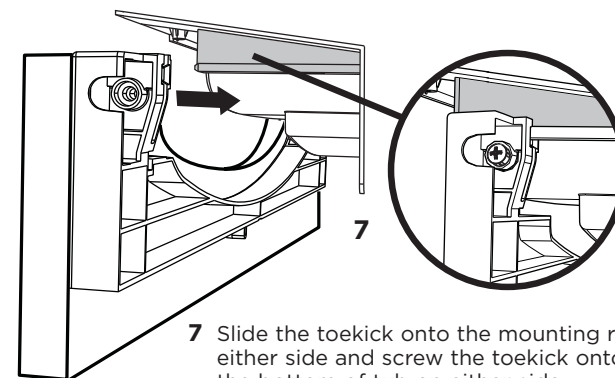
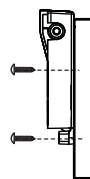
Depth is measured from FRONT of door panel (assuming thickness -18mm) to front face of custom toekick panel

- 1 If you require a cutout in your custom toekick panel, choose the most appropriate cutout profile (A or B) depending on the final depth of your toekick panel.

Toekick panel cutting template



Align panel with the ribs



- 4 After marking the panel, carefully cut or router out the desired profile. Use the template as a cutting guide.

- 5 Place the Toekick mounting bracket onto your toekick panel. Ensure they are centered and the horizontal ribs at the top of the template aligns with the top surface of the panel.
- 6 Secure template to panel using the supplied toekick mounting screws.

- 7 Slide the toekick onto the mounting rails either side and screw the toekick onto the bottom of tub on either side.

IMPORTANT!

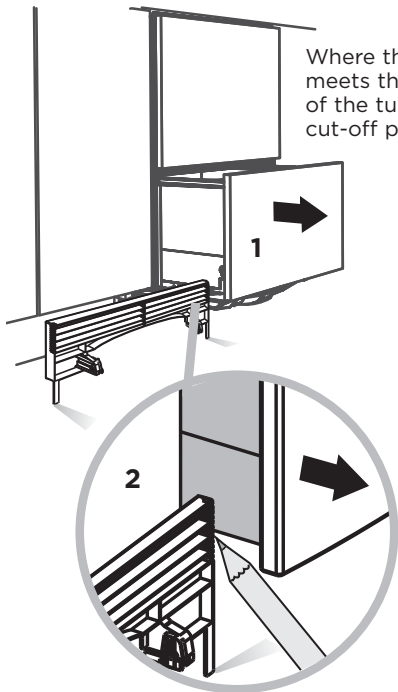
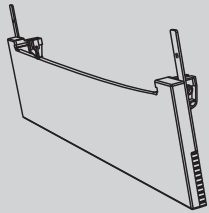
Ensure all bare edges are sealed appropriately.

IMPORTANT!

Do not overtighten screw.

16 FIT THE SUPPLIED PREFINISHED TOEKICK PANEL (IF PREFERRED)

Prefinished Toekick Panel

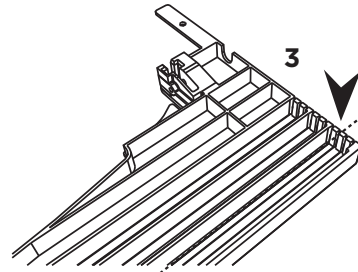


Where the toekick meets the bottom of the tub is the cut-off point

1

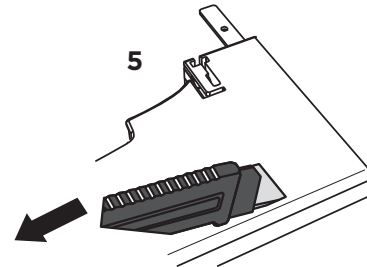
2

Mark this point on the toekick with a pencil



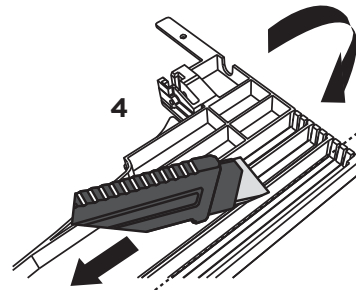
Lay the toekick face down on a chopping board or similar.

3



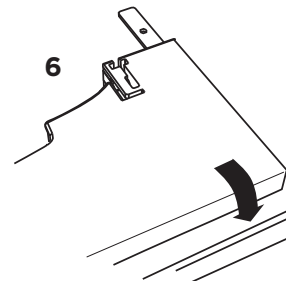
Turn the toekick over and score along the same line.

5



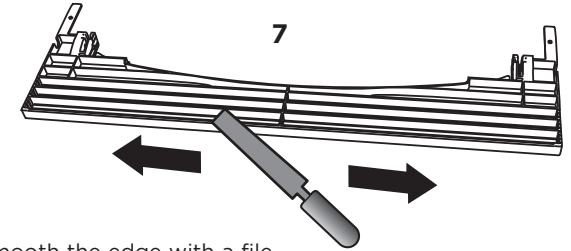
Score along with a knife

4



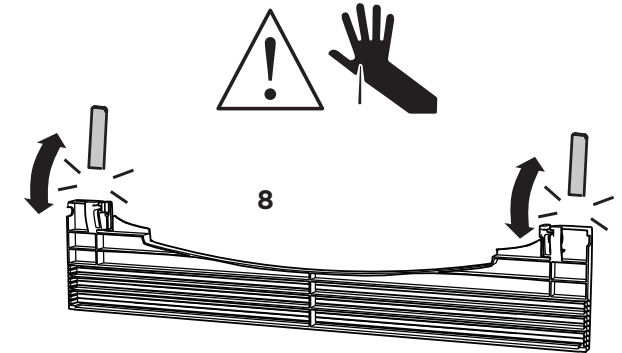
Gently snap off the excess

6



Smooth the edge with a file. Be careful of sharp edges.

7

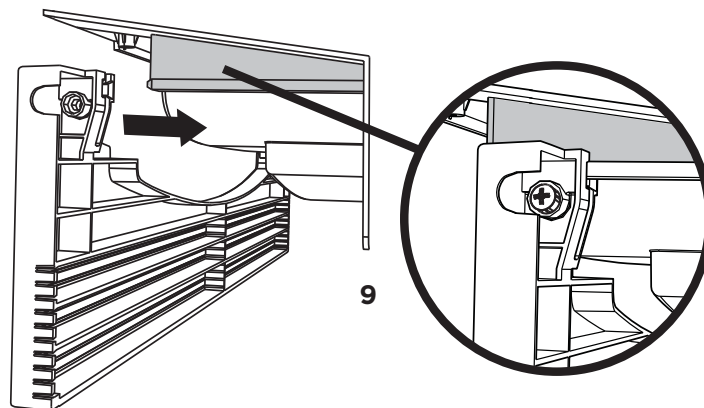


Snap off the two end tabs

8

Slide the toekick onto the mounting rails either side and screw the toekick onto the bottom of tub on either side.

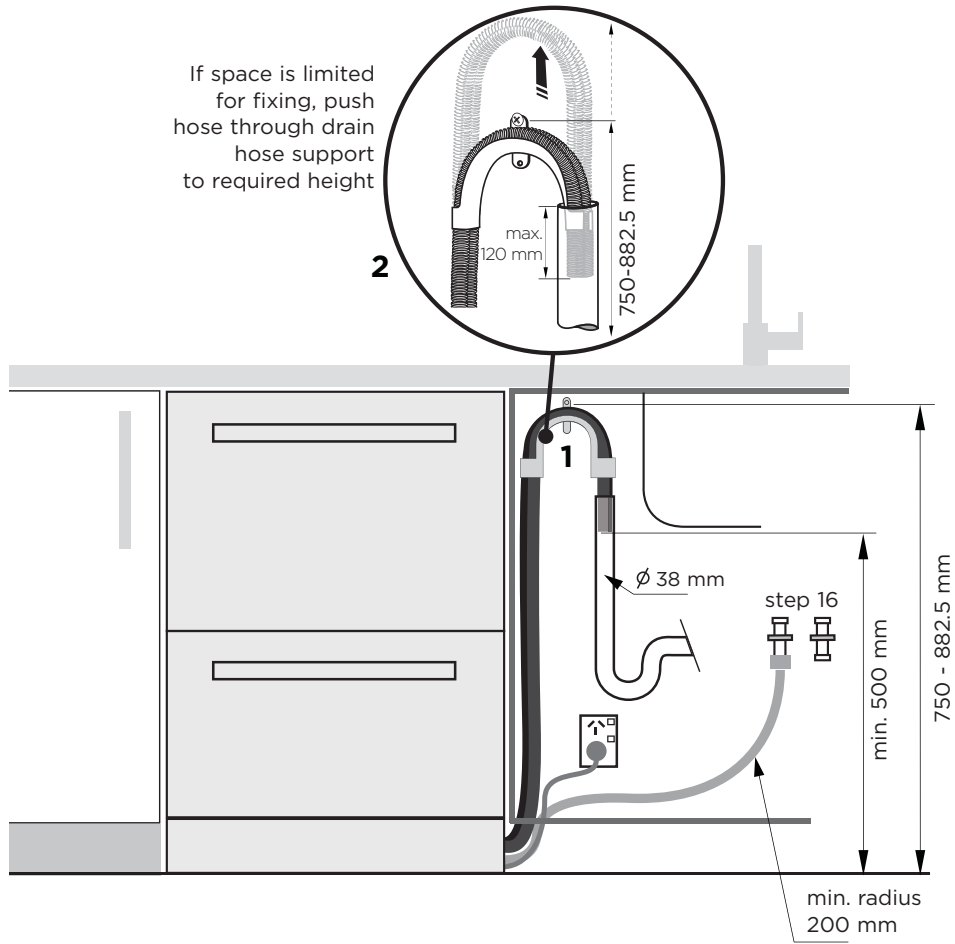
IMPORTANT!
Do not overtighten screw.



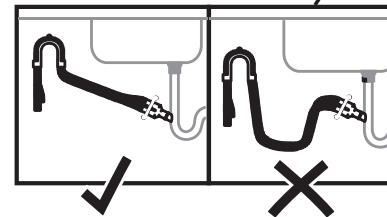
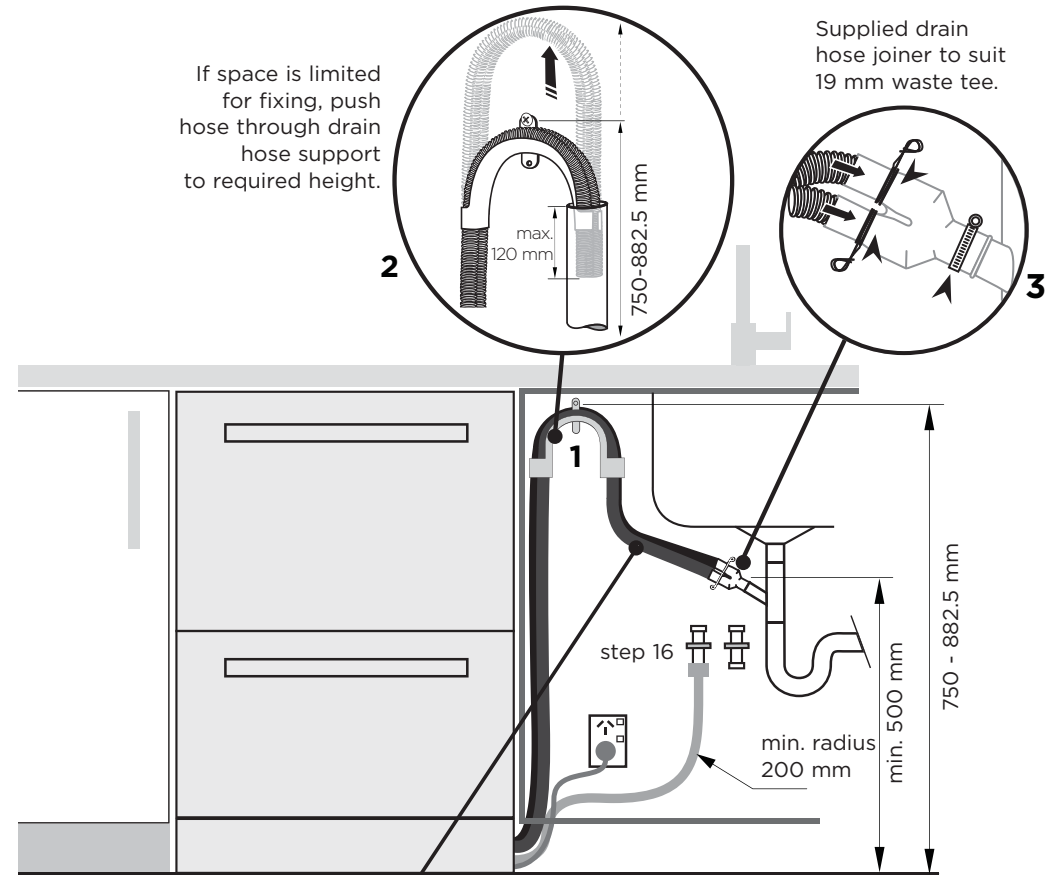
9

17 THERE ARE TWO DIFFERENT PLUMBING AND DRAINAGE OPTIONS. CHOOSE WHICH IS MORE SUITABLE.

Dishwasher and Ø 38 mm Standpipe



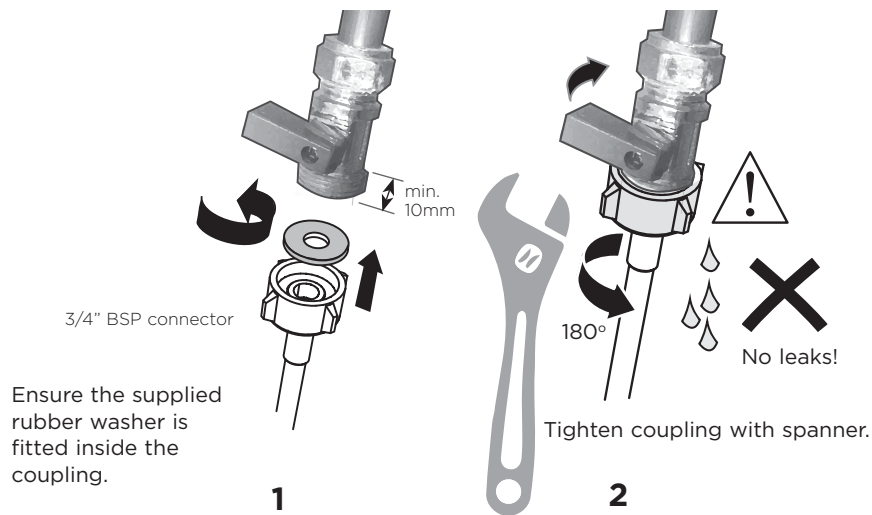
Dishwasher using drain hose joiner onto sink trap/waste tee



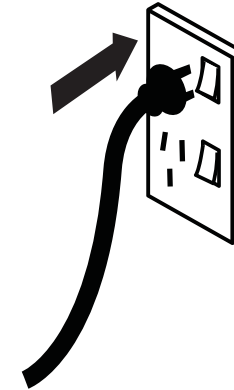
Ensure drain hose is routed straight to joiner. Remove excess drain hose material if necessary. Do not shorten the inlet hose.

IMPORTANT!
Do not connect the drain hoses to a Waste Disposal Unit, as this type of connection may lead to a blockage in the drain hoses.

16 CONNECT INLET HOSE TO COLD WATER



17 PLUG PRODUCT IN



18 TROUBLESHOOTING

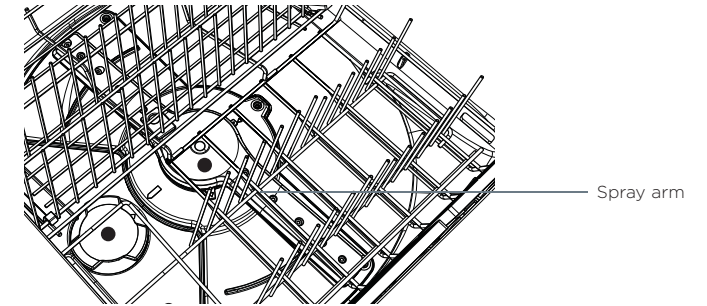
- **Excessive water remaining above the filter plate, after the rinse cycle. (This is displayed as an A3 fault. See user guide 'How to attend to a fault')**
Check for a kinked drain hose, blocked or incorrectly drilled out waste connection, highloop not properly installed, drain hose not routed correctly or spray arms not in place.
- **No water supply. (This is displayed as an A1 fault. See user guide 'How to attend to a fault')**
Check water is connected and turned on.
- **The dishwasher is beeping continuously**
There is a fault. See section 'How to attend to a fault' in the User guide for further information and instructions.
- **No program indicator lights up when the drawer is opened**
Ensure power is connected and is switched on. If it is and still no indicator lights up, see the 'Preference options' section of the 'Quick start guide'. An option called 'Open drawer auto power-on' may need to be turned on.
- **Water around water supply and drainage connections**
Check connections, existing plumbing and hoses for leaks. Check rubber washer and hose clamp are correctly fitted.
- **If product is tipping**
Ensure the product is secured to the cabinetry.
- **If front panels are misaligned**
Check and relevel product. Unscrew the product from the cabinetry. Adjust the feet to level the product, then re-secure to the cabinetry. Check the cabinetry is square.
- **Drawer doesn't close properly**
Ensure nothing is obstructing the drawer from closing properly eg hoses or drawer latches.
- If a problem occurs, consult the 'Troubleshooting' section of the User guide.
- If after checking these points you still need assistance, please refer to the Service & Warranty book for warranty details and your nearest Authorised Service Centre, or contact us through our website, listed below.

19 FINAL CHECKLIST

✓ TO BE COMPLETED BY THE INSTALLER

- Check all parts are installed.
- Ensure that all panels and parts thereof are secure and final electrical tests have been conducted in accordance with local electrical regulations.
- Ensure product is level, securely fastened to the cabinetry and opens and closes freely. The drawers must be free to fully close with no resistance from the cabinetry.
- Ensure inlet hose to water supply has supplied rubber washer fitted, and that it's tightened a further half turn after seal contact.
- Ensure any knockouts or plugs in drain connection have been drilled out and drain connection has been made.
- The drain hose joiner must not support the weight of excess hose material. Keep drain hose as fully extended as possible to prevent sagging. Any excess length of drain hose should be kept on the dishwasher side of the highloop.
- If connecting the drain hose to the sink trap, ensure the Highloop is a minimum 150mm higher than the drain hose joiner.
- Ensure any packaging or tape securing the racks is removed from the drawers.
- Water softener models only: adjust the water softener setting from the default setting to suit the water hardness of the area. See the Quick start guide and section 'Water softener' in the User guide.

- Turn on the power and water supplies, then open the drawers. You should hear a beep and see a program indicator light up on the control panel.
- Check the spray arms are in place, mounted correctly and free to rotate, by physically rotating by hand.



- Add three cups of water into the drawer. Press >> until the indicator of the 'Rinse' program lights up. Close the drawer and press ▶|| to start the program. Repeat for the other drawer.
- When the test cycle is in process check the knock sensor is working by knocking twice on the door to pause the wash program.
- After the Rinse program has finished, ensure the dishwasher has run and drained correctly.
- Check the water supply has correctly shut off and drainage connection for leakage.

Complete and keep for safe reference:

Model _____
Serial No. _____
Purchase Date _____
Purchaser _____
Dealer Address _____
Installer's Name _____
Installer's Signature _____
Installation Company _____
Installation Date _____

FISHERPAYKEL.COM

Copyright © Fisher & Paykel Appliances 2018. All rights reserved.
The product specifications in this booklet apply to the specific products and models described at the date of issue. Under our policy of continuous product improvement, these specifications may change at any time. You should therefore check with your Dealer to ensure this booklet correctly describes the product currently available.

F I S H E R & P A Y K E L

SINGLE DISHDRAWER™ DISHWASHER

DD60SI, DD60STI, DD60SLI, DD60SHI
& DD60SHTI models

INSTALLATION GUIDE

NZ AU GB IE

591383 B 07.18

⚠ WARNING!



Electrical shock hazard
 Before installing the dishwasher, remove the house fuse or open the circuit breaker. This appliance must be earthed. In the event of a malfunction or breakdown, earthing will reduce the risk of electric shock by providing a path of least resistance for electric current. This appliance is equipped with a cord having an equipment-earthing conductor and an earthing plug. The plug must be plugged into an appropriate outlet that is installed and earthed in accordance with all local codes and ordinances.

WARNING- Improper connection of the equipment-earthing conductor can result in a risk of electric shock. Check with a qualified electrician or service representative if you are in doubt as to whether the appliance is properly earthed.

Do not modify the power supply plug provided with the appliance - if it will not fit the outlet, have a proper outlet installed by a qualified electrician. Do not use an extension cord, adapter plug or multiple outlet box.

Failure to follow this advice may result in electrical shock or death.

⚠ WARNING!



Fitting integrated front panels requires access to electrical service areas. This work must be performed and certified by a qualified electrical service technician.

Electrical Shock Hazard
WARNING: To reduce the risk of electrical shock, fire, or injury to persons, the installer must ensure that the dishwasher is completely enclosed at the time of installation. Before fitting the front panels and connecting the integrated badges (where present), the installer must ensure that the dishwasher is disconnected from the power supply. After installing the front panels, the installer must ensure that the following components are electrically earthed: the panel bracket, the integrated badge (where present) and any custom metal component (e.g. handle) that extends past the rubber seal. Failure to follow these warnings may result in electrical shock, injury or fire.

⚠ WARNING!



Cut Hazard
 Take care - panel edges are sharp. Failure to use caution could result in injury or cuts.

IMPORTANT SAFETY INSTRUCTIONS

- Installation of this dishwasher requires basic mechanical and electrical skills.
- Be sure to leave these Instructions with the Customer.
- Installation must comply with your local building and electricity regulations.
- At the completion of the dishwasher installation, the Installer must perform the Final Checklist.
- Remove all packaging materials supplied with the dishwasher.
- This dishwasher is manufactured for indoor use only.
- Ensure all water connections are turned OFF. It is the responsibility of the plumber and electrician to ensure that each installation complies with all Codes and Regulations.
- The dishwasher MUST be installed to allow for future removal from the enclosure if service is required.
- The switched power outlet must be outside the dishwasher cavity, so that it is accessible after installation.
- Care should be taken when the appliance is installed or removed to reduce the likelihood of damage to the power supply cord and hoses.
- If the dishwasher is to be relocated from one installation to another it must be kept upright to avoid damage from water spillage.
- Make sure only new hoses are used for connection (supplied with the dishwasher). Old hoses should not be reused.
- Failure to install the dishwasher correctly could invalidate any warranty or liability claims.

IMPORTANT SAFETY INSTRUCTIONS

- Ensure the product is not plugged in when fitting custom panels.
- Installation of custom panels requires basic mechanical and electrical skills.
- Installation must comply with your local building and electricity regulations.
- Failure to install the custom panels correctly could invalidate any warranty or liability claims.

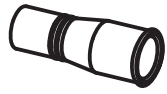
IMPORTANT! SAVE THESE INSTRUCTIONS

The models shown in this installation guide may not be available in all markets and are subject to change at any time. For current details about model and specification availability in your country, please go to our website www.fisherpaykel.com or contact your local Fisher & Paykel dealer.

② PARTS SUPPLIED



Drain hose support (1)



Drain hose joiner (1)



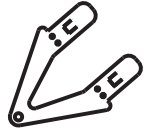
Wire clip (1)
(for securing
Drain hose joiner)



Clamp (1)
(for securing
Drain hose joiner)



Side mounting
bracket kit
(A and B) (2)
OPTIONAL



Top
mounting
brackets (2)
OPTIONAL



Phillips
16 mm
screws (7)



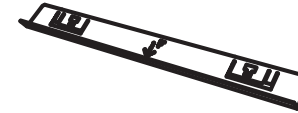
38 mm
bottom fixing
screws & metal
washers (2)



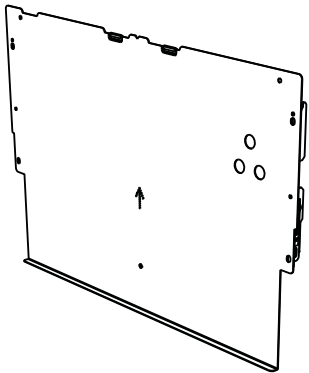
Rubber washer
for inlet hose (1)
(comes already
fitted)



Moisture protection
tape (1)
(to prevent moisture
damage to cabinetry)



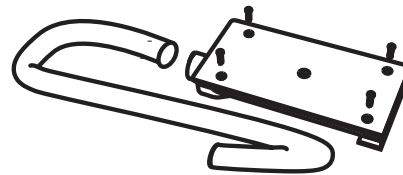
Cavity Bracket Kit (1)
(supplied with Tall
Height Models only)



Panel bracket (1)
& Knock-to-Pause Module (1)
(shipped fixed to product)



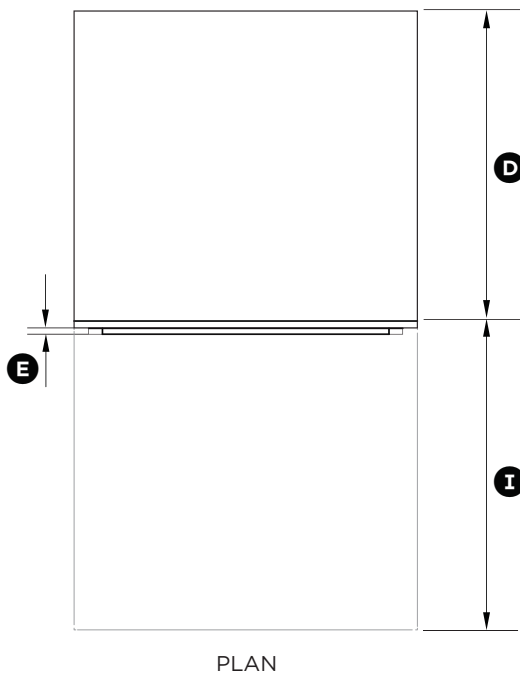
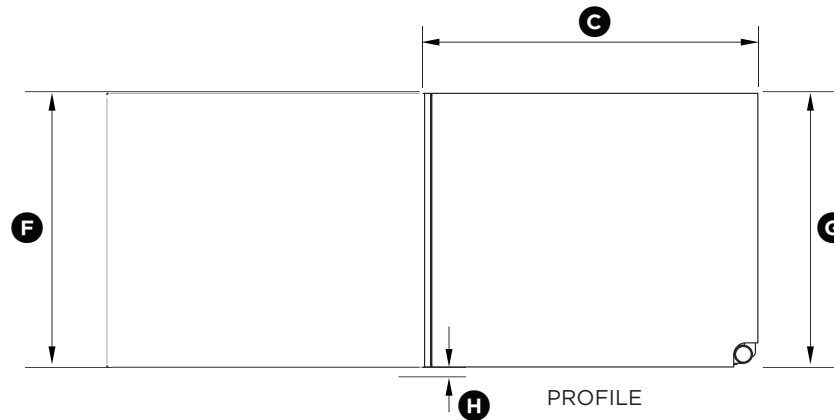
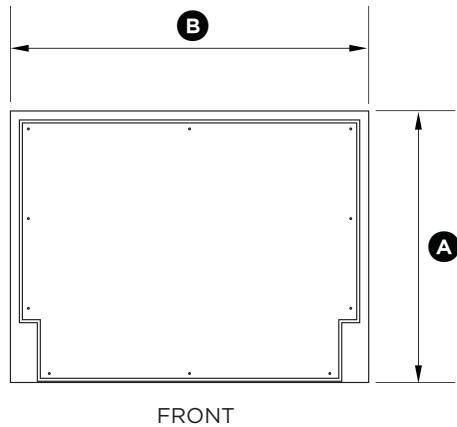
Panel mounting
screws (6)



External Venting kit (1)
(Excludes DD60SLI9 models)

If the Drain hose supplied is not long enough to reach your services, you must use a Drain Hose Extension Kit P/N 525798 which will extend the drain hose by 3.6 m. The kit is available from the nearest Fisher & Paykel Authorised Service Centre or our local website listed at the end of this document.

3 PRODUCT DIMENSIONS



PRODUCT DIMENSIONS	STANDARD HEIGHT	STANDARD HEIGHT	TALL HEIGHT (Installed in a 18" (456mm) high cavity)	TALL HEIGHT (Installed in a 18 7/8" (480mm) high cavity)
	DD60SLI	DD60SI DD60SHI	DD60STI DD60SHTI	DD60STI DD60SHTI
	MM	MM	MM	MM
(A) Overall height of product ¹	410	410	454	478 ²
(B) Overall width of product	599	599	599	599
(C) Overall depth of product ³	571	571	571	571
(D) Depth of chassis (to back of front drawer panel)	553	553	553	553
(E) Depth of drawer front panel	16-20	16-20	16-20	16-20
(F) Height of drawer front panel	min. 402	min. 408 ⁴	min. 452 ⁵	min. 476 ⁵
(G) Height of chassis ¹	410	410	454	454
(H) Ventilation gap below drawer front panel	min. 8	min. 2	min. 2	min. 2
(I) Maximum extension of drawer ³	545	545	545	545

¹ includes 2mm high bracket slots

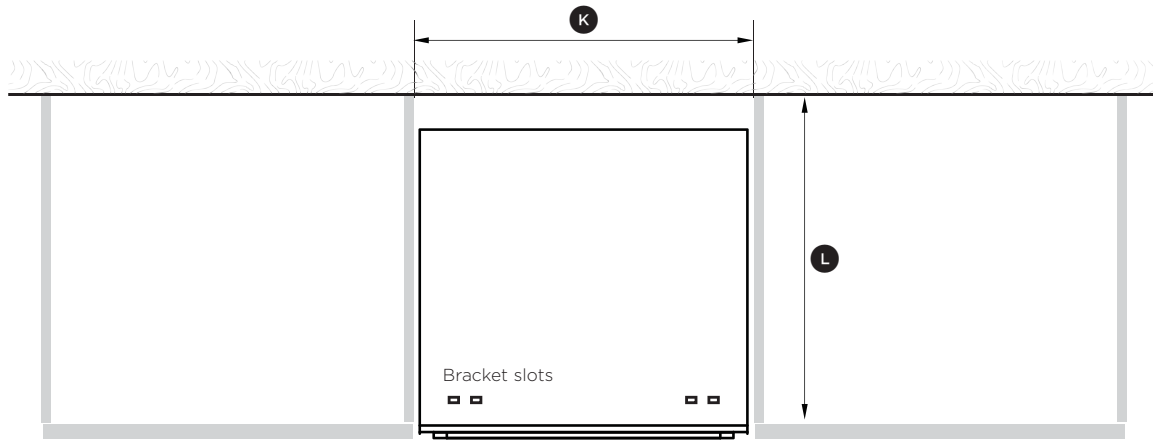
² includes fitted cavity bracket

³ assuming a front panel thickness of 18mm

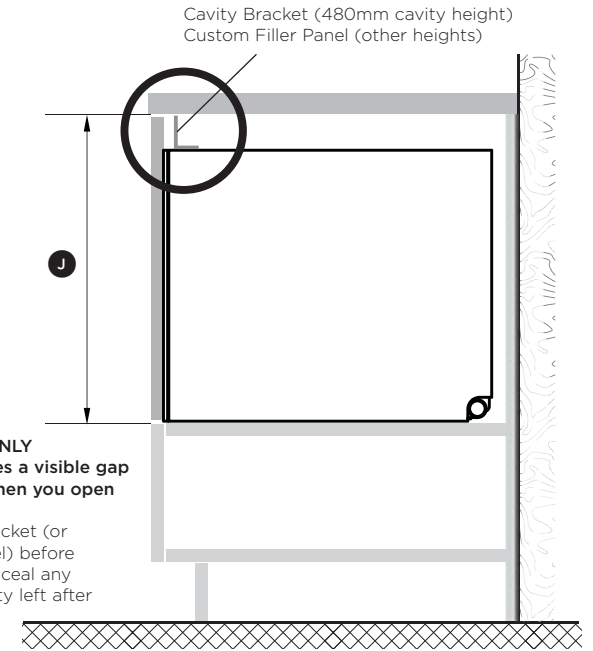
⁴ recommended for a 2mm ventilation gap below panel, if cavity height is 412mm

⁵ recommended for a 2mm ventilation gap below panel

④ CABINETY DIMENSIONS



PLAN



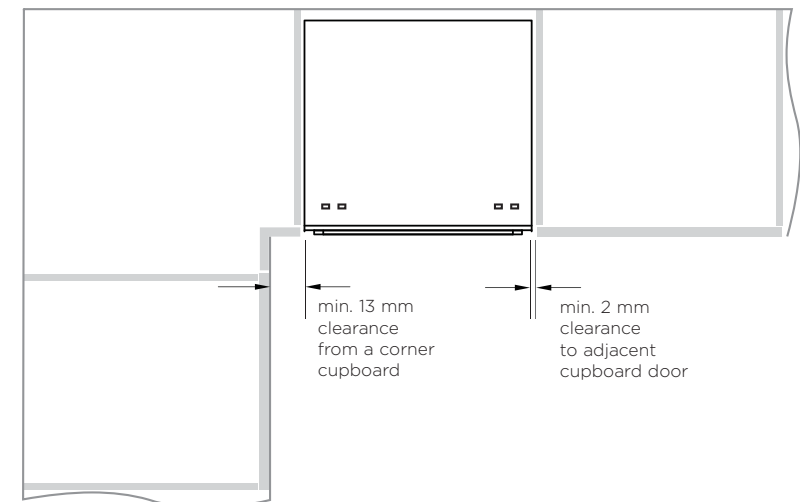
PROFILE

TALL HEIGHT MODELS ONLY
 If your cavity height leaves a visible gap under your countertop when you open the drawer:
 Fit the supplied cavity bracket (or a custom cavity filler panel) before installation in order to conceal any gap at the top of the cavity left after installation.

	STANDARD HEIGHT DD60SI DD60SHI DD60SLI	TALL HEIGHT (Installed in a 456mm high cavity) DD60STI DD60SHTI	TALL HEIGHT (Installed in a 480mm high cavity) DD60STI DD60SHTI
--	--	--	--

CABINETY DIMENSIONS	MM	MM	MM
ⓐ Inside height of cavity	min. 412	456	480
Ⓚ Inside width of cavity	600	600	600
Ⓛ Inside depth of cavity	min. 560	min. 560	min. 560

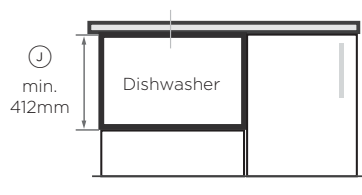
Minimum clearances from adjacent cabinetry



Cavity height options allow you to match dishwasher with your cabinetry or companion products

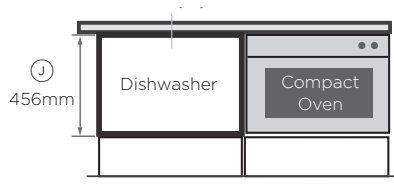
DD60SI, DD60SLI, DD60SHI

STANDARD HEIGHT INTEGRATED MODEL



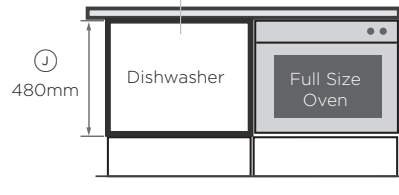
DD60STI, DD60SHTI

TALL HEIGHT INTEGRATED MODEL
(Installed in a 456mm high cavity)



D60STI, DD60SHTI

TALL HEIGHT INTEGRATED MODEL
(Installed in a 480mm high cavity)



5 CUSTOM DRAWER PANEL CALCULATIONS

FRONT PANEL MATERIAL SPECIFICATIONS

- 16 - 20mm panel thickness
- Adequately sealed to withstand moisture (50°C @ 80% RH)
Because of it being a hot and wet environment generally, the back and sides of the panel should be completely sealed with a waterproof vapour barrier (ie polyurethane) to prevent damage to the panel.
- The back of the panel (including any integrated handle) should be completely flush so that the seal between the panel and the rubber trim is maintained.
- Installation outside these specs may result in condensation on cabinetry surfaces.
- Maximum weight of panel: 9kg

The following calculations assume the top of the upper panel is aligned with the top of the adjacent cabinetry.

WIDTH OF THE PANEL

Measure **A** (the width between adjacent door/drawer fronts) and write it in the first box below, then complete the equation.

	Clearance to adjacent cabinet front		WIDTH OF PANEL
A	-	2x	=
[]			[]
		(min. 2mm)	(596 - 615mm)

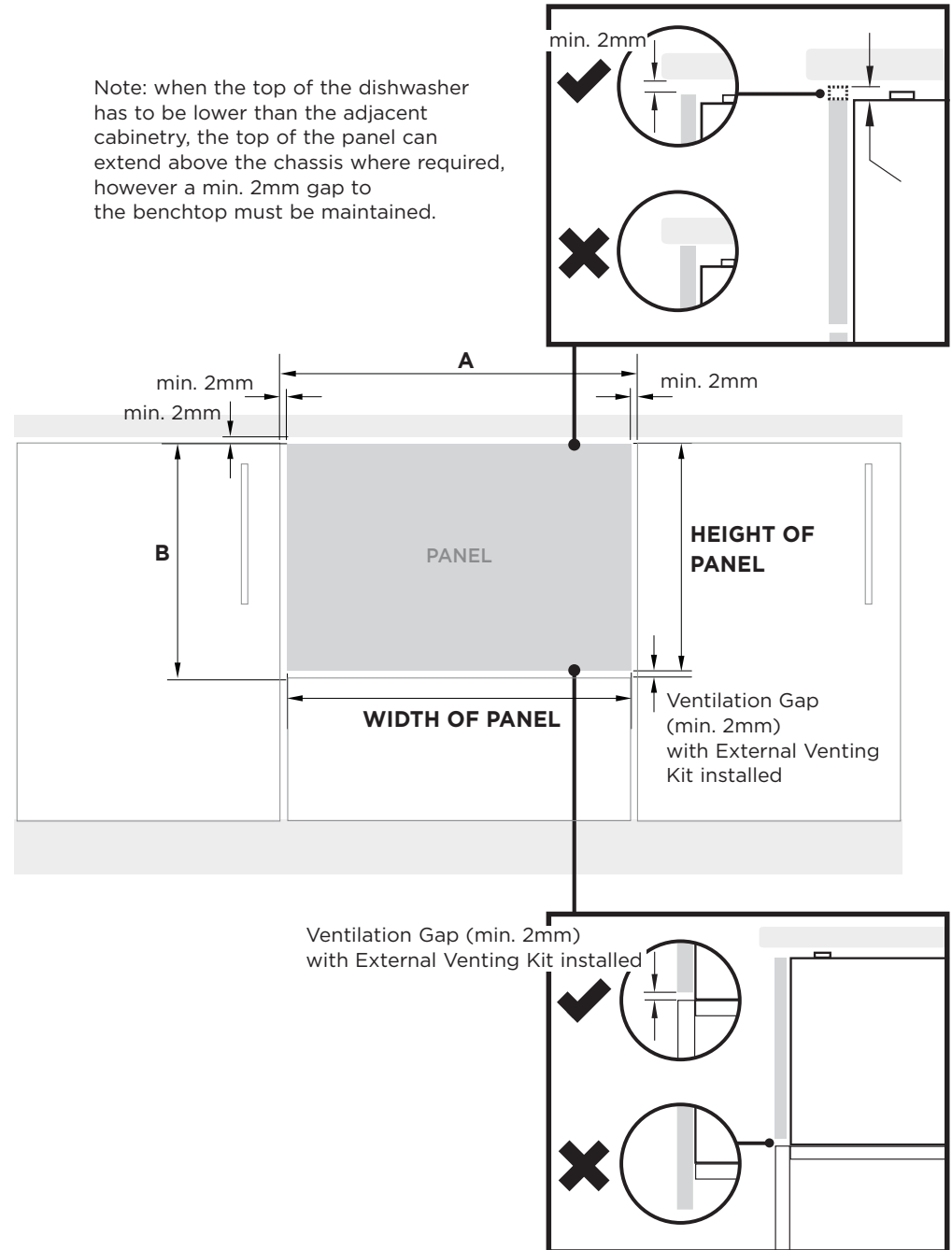
HEIGHT OF THE PANEL

	Ventilation Gap		HEIGHT OF PANEL
B	-		=
[]		[]	[]
		(min. 2mm)	

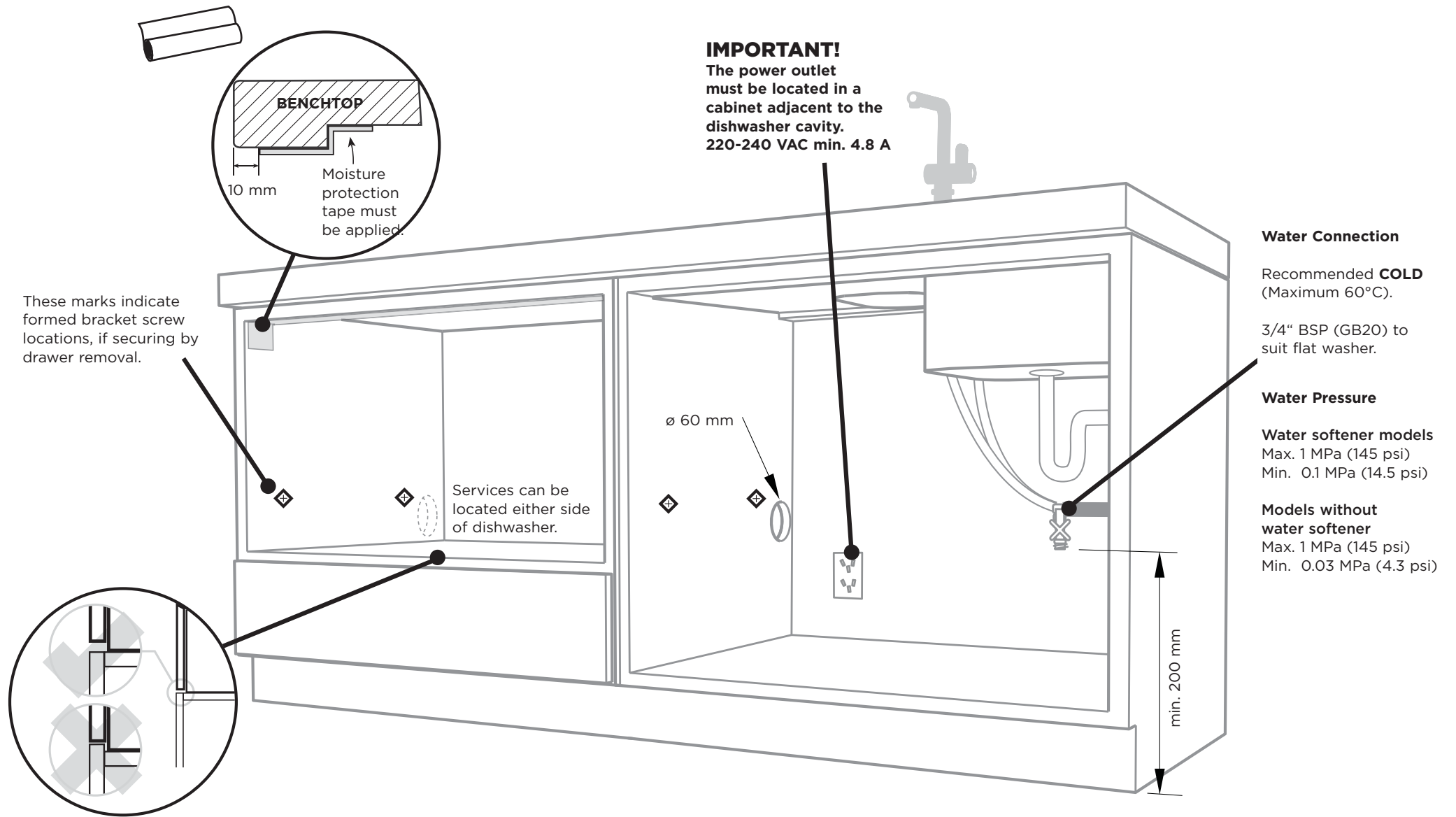
DD*SLI9 models only:

This model is installed conventionally without an External Venting Kit. Therefore, the Ventilation Gap below the product in all calculations is min. 8mm.

Note: when the top of the dishwasher has to be lower than the adjacent cabinetry, the top of the panel can extend above the chassis where required, however a min. 2mm gap to the benchtop must be maintained.



6 CAVITY PREPARATION

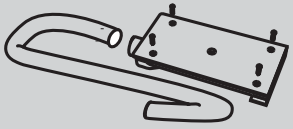


IMPORTANT!
Adjacent cabinetry must not extend above cavity base.

7 PREPARATION FOR EXTERNAL VENTING THROUGH SAME CABINET

External Venting Kit

(Excludes DD60SLI9 models)

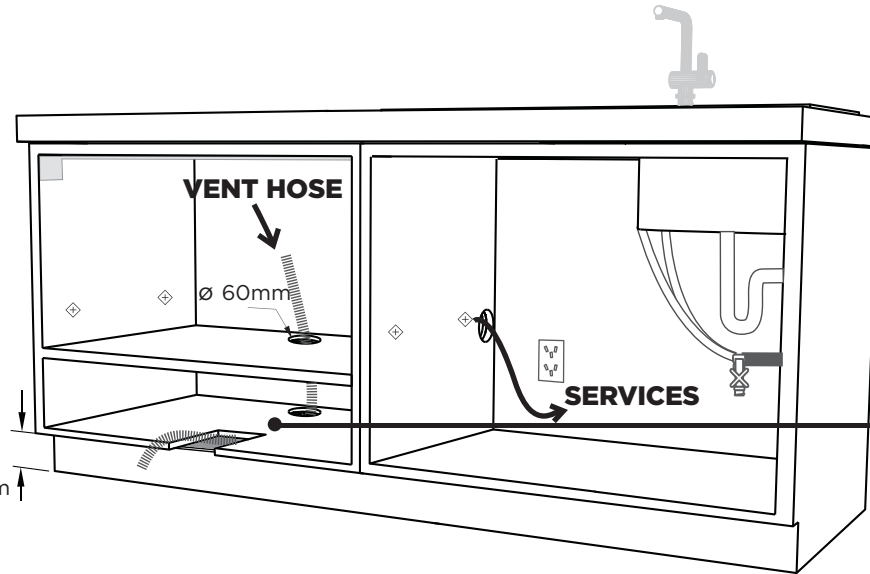


Services can be located either side of dishwasher

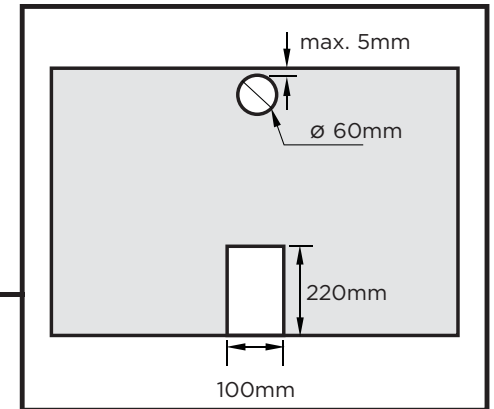
IMPORTANT!

To prevent pooling of condensation from the vent hose, a toekick height of no less than 100mm is required.

min. 100mm



Shelf cutouts



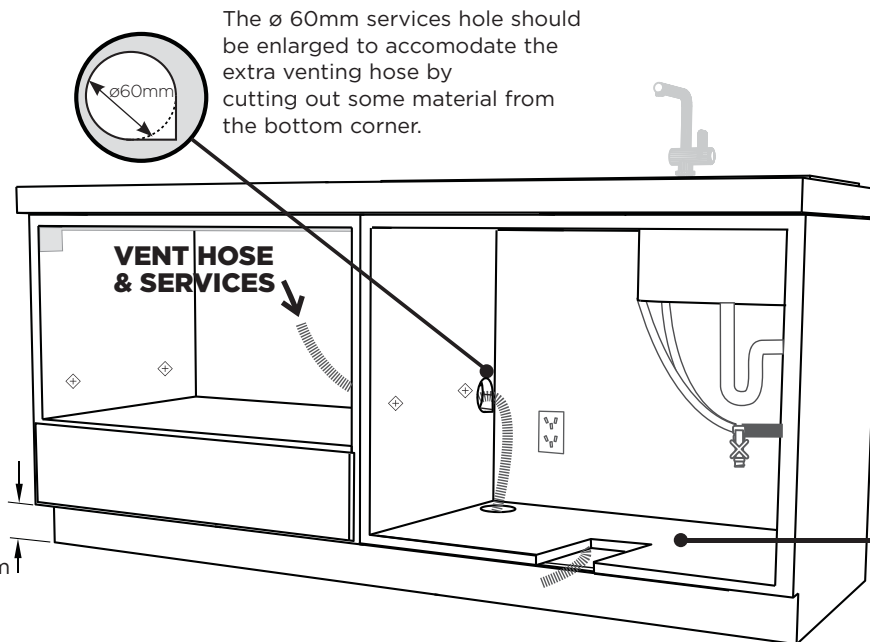
7 PREPARATION FOR EXTERNAL VENTING THROUGH ADJACENT CABINET

The $\varnothing 60\text{mm}$ services hole should be enlarged to accommodate the extra venting hose by cutting out some material from the bottom corner.

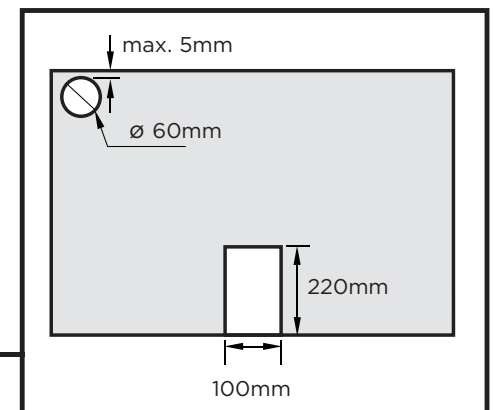
IMPORTANT!

To prevent pooling of condensation from the vent hose, a toekick height of no less than 100mm is required.

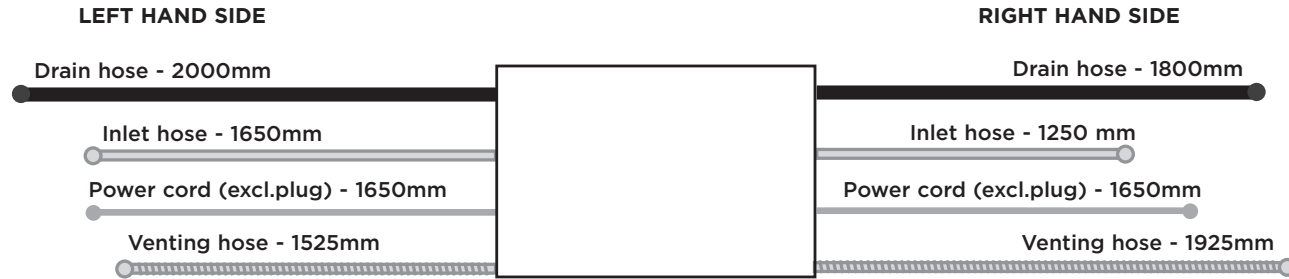
min. 100mm



Shelf cutouts



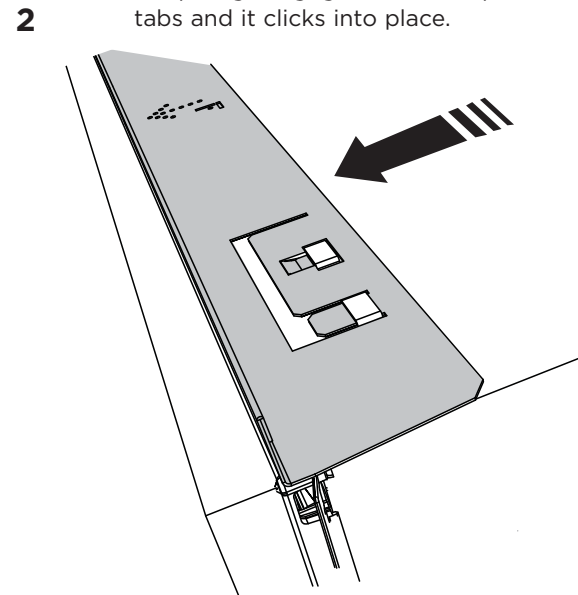
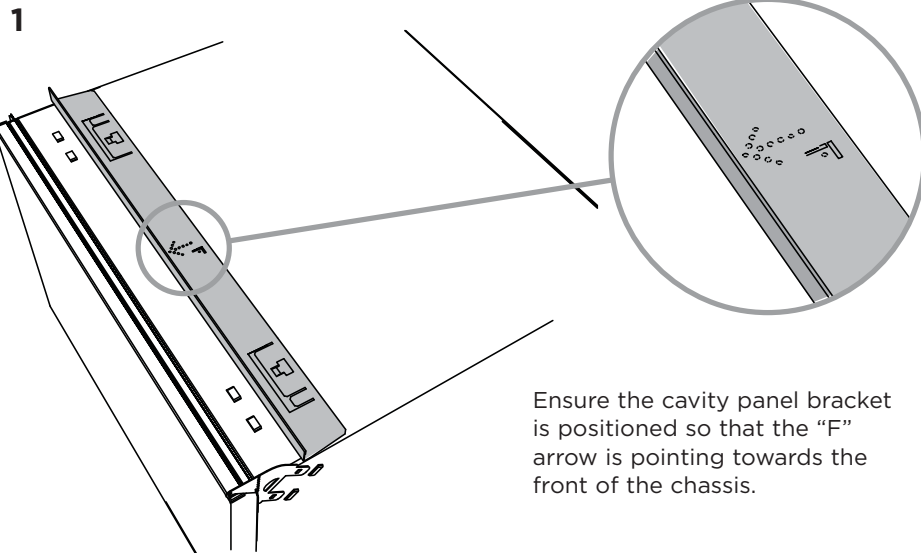
8 MAXIMUM DISTANCE OF HOSES & CORD FROM CHASSIS EDGE



9 TALL HEIGHT INTEGRATED MODELS FOR 480 MM CAVITY ONLY - ATTACH CAVITY BRACKET

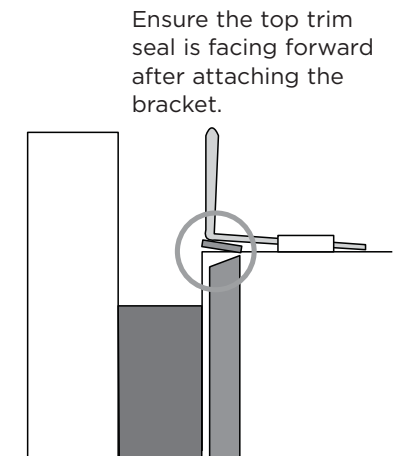
IMPORTANT!

The enclosed cavity bracket is fitted before installation in order to conceal the gap at the top of the cavity left after installation.



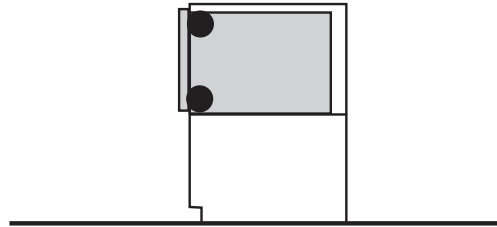
IMPORTANT!

Ensure the prongs have not been driven down into the chassis as this will damage the lid below.



**NOW CHOOSE WHICH INSTALLATION METHOD (A) OR (B)
IS MORE SUITABLE FOR YOUR CABINETRY...**

10 RECOMMENDED METHOD (A) - SECURE WITHOUT DRAWER REMOVAL (FRAMELESS CABINETRY ONLY)



10-A ATTACH SIDE MOUNTING BRACKETS

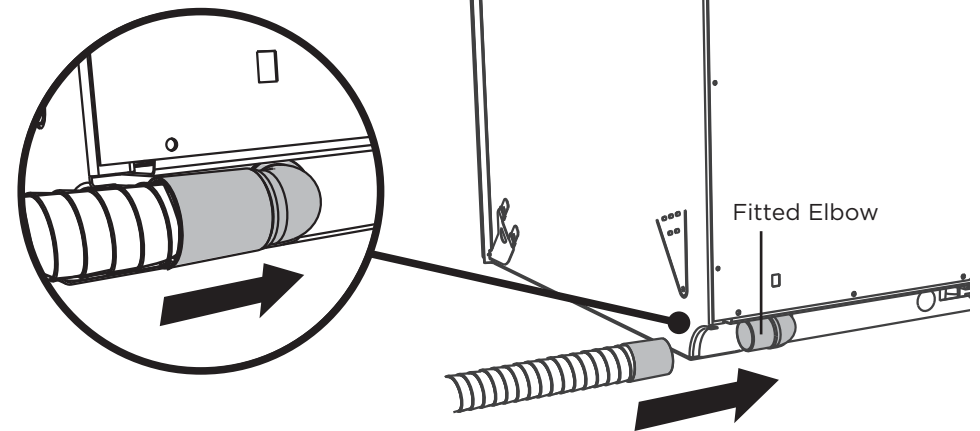
Clip all four side mounting brackets into their slots using a flat-bladed screwdriver. Ensure they're securely fitted before sliding product into cavity.

The mounting slots are in pairs, one on each side diagonally across the product. **A** bracket must match **A** slot and **B** bracket must match **B** slot.

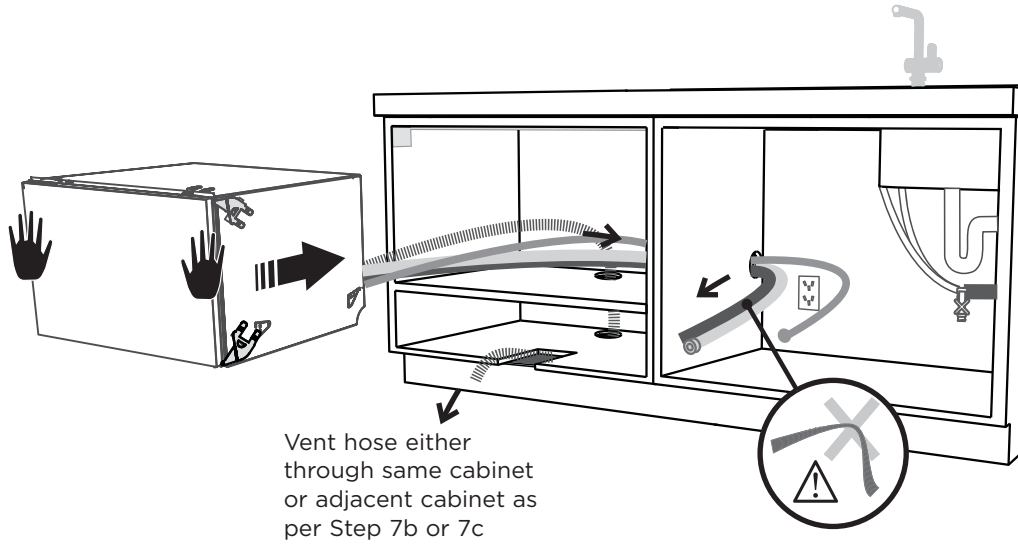
When fitting brackets, ensure the ends are not pushed down into the chassis.

11-A ATTACH VENTING HOSE

Check that the fitted elbow is rotated left or right (depending on the direction of the routing), then ensure the venting hose is securely attached to it.



12-A PULL THROUGH HOSES & MOVE INTO THE CAVITY



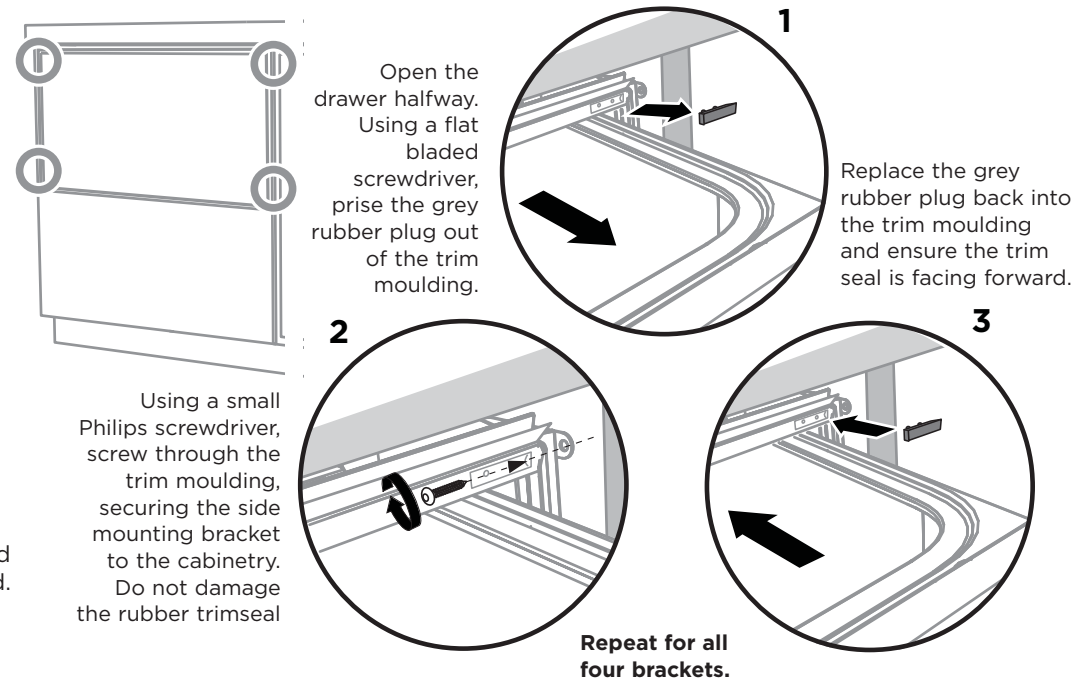
Vent hose either through same cabinet or adjacent cabinet as per Step 7b or 7c

As you push product in, pull through hoses and cord, ensuring they don't get kinked or twisted.

IMPORTANT!

If product cannot be pushed in far enough, pull out again and rearrange hoses and cord. Do not use excessive force, as doing so may squash the hoses and lead to incorrect operation.

13-A SECURE TO THE CABINETRY ON THE SIDES



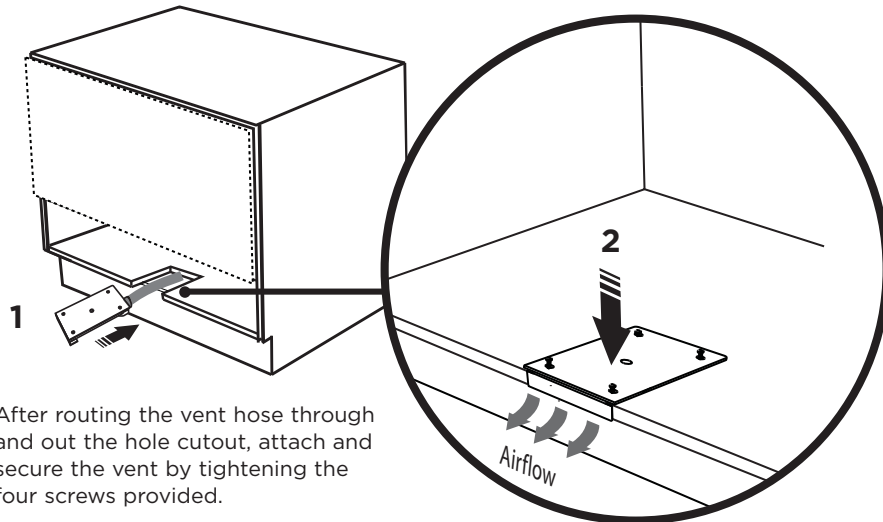
Open the drawer halfway. Using a flat bladed screwdriver, prise the grey rubber plug out of the trim moulding.

Replace the grey rubber plug back into the trim moulding and ensure the trim seal is facing forward.

Using a small Philips screwdriver, screw through the trim moulding, securing the side mounting bracket to the cabinetry. Do not damage the rubber trimseal

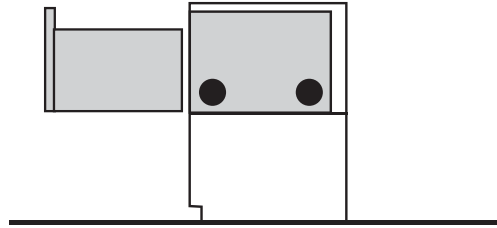
Repeat for all four brackets.

14-A SECURE THE EXTERNAL VENT



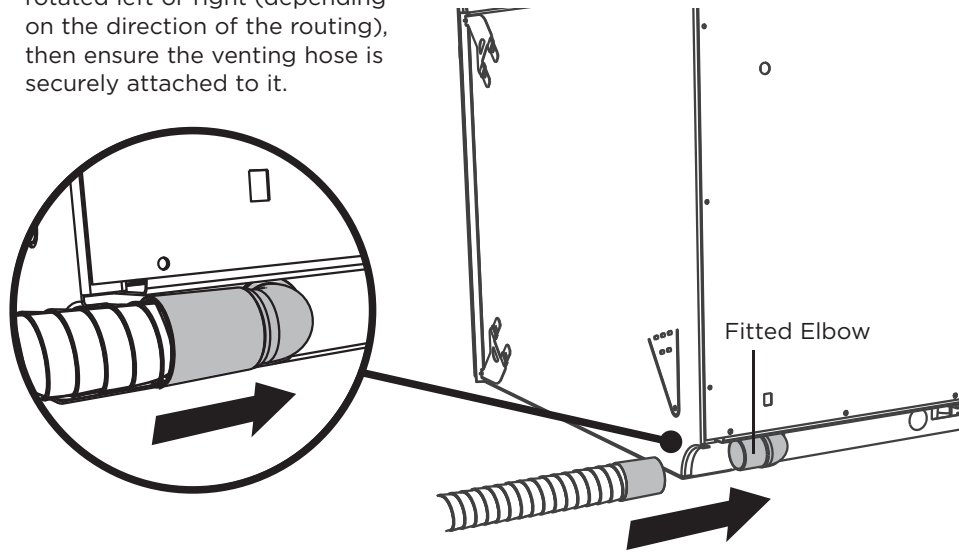
After routing the vent hose through and out the hole cutout, attach and secure the vent by tightening the four screws provided.

10 ALTERNATIVE METHOD (B) - SECURE BY DRAWER REMOVAL

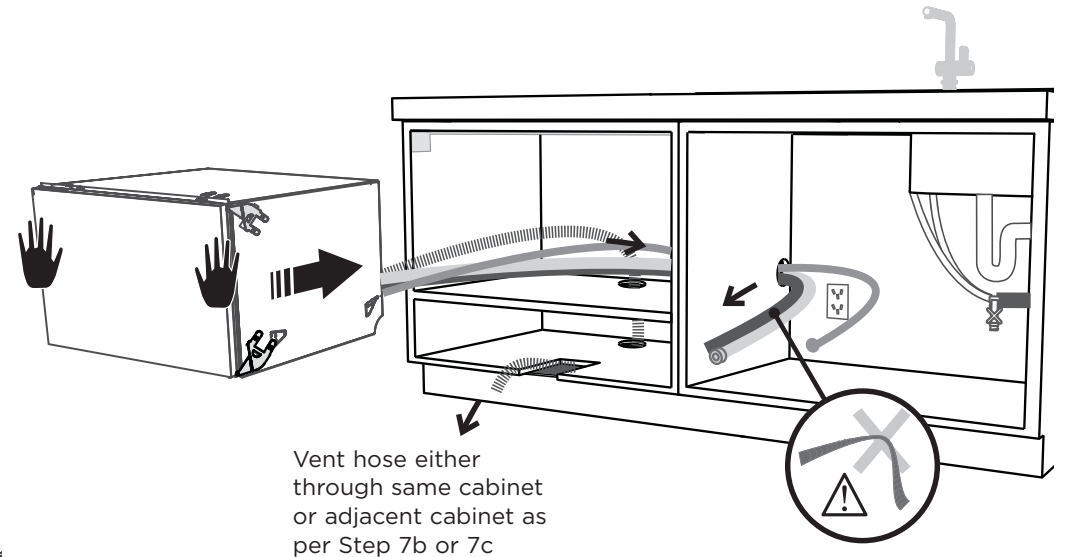


10-A ATTACH VENTING HOSE

Check that the fitted elbow is rotated left or right (depending on the direction of the routing), then ensure the venting hose is securely attached to it.



11-A PULL THROUGH HOSES & MOVE INTO THE CAVITY

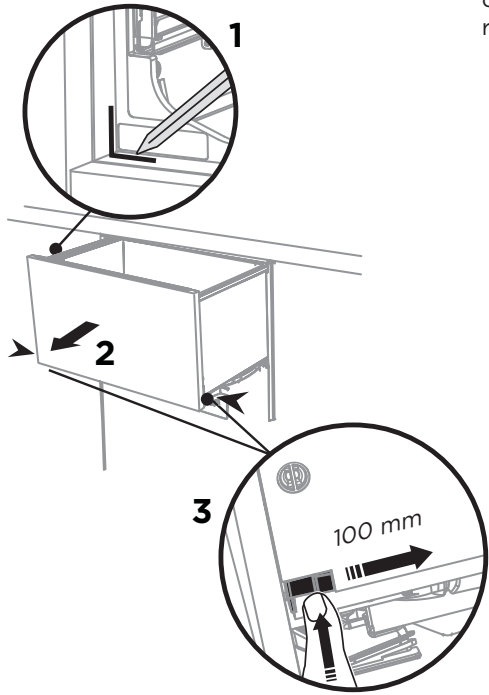


Vent hose either through same cabinet or adjacent cabinet as per Step 7b or 7c

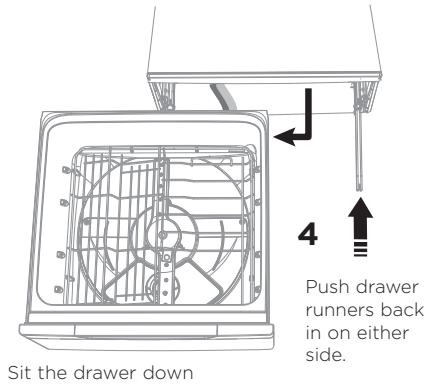
As you push product in, pull through hoses and cord, ensuring they don't get kinked or twisted.

IMPORTANT!
If product cannot be pushed in far enough, pull out again and rearrange hoses and cord. Do not use excessive force, as doing so may squash the hoses and lead to incorrect operation.

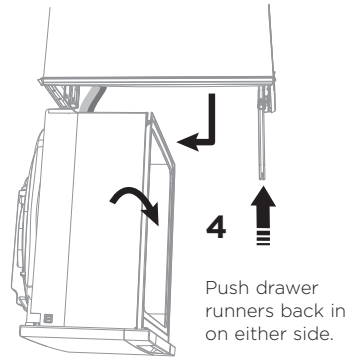
To prevent kinked hoses
 Either sit the drawer down on the left hand side (recommended) or rotate the drawer clockwise, resting it on its side after removal.



Press the release tabs in on either side and push back to release drawer from runners.
 Lift drawer off runners.



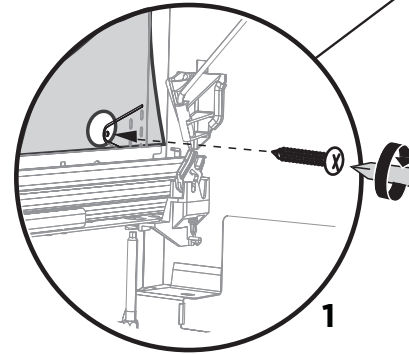
Sit the drawer down



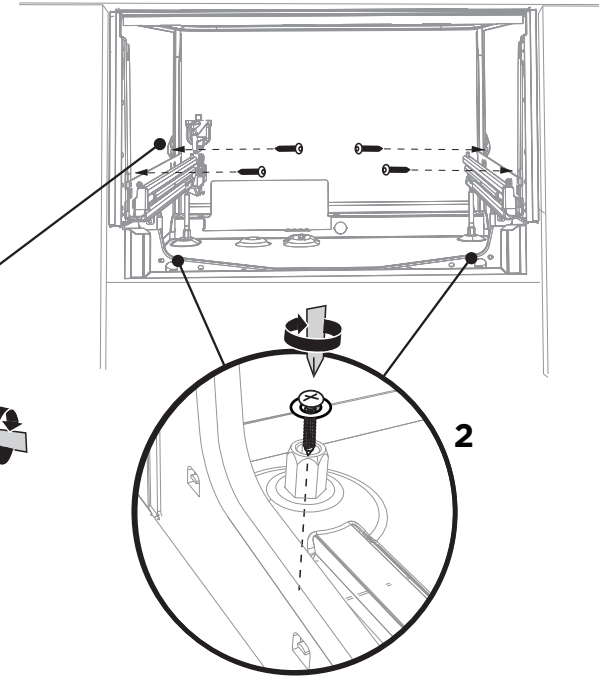
Rotate the drawer clockwise (max. 90°) and rest on side.

The product has three pairs of fixing points:

Ensure the sound insulation is repositioned correctly.

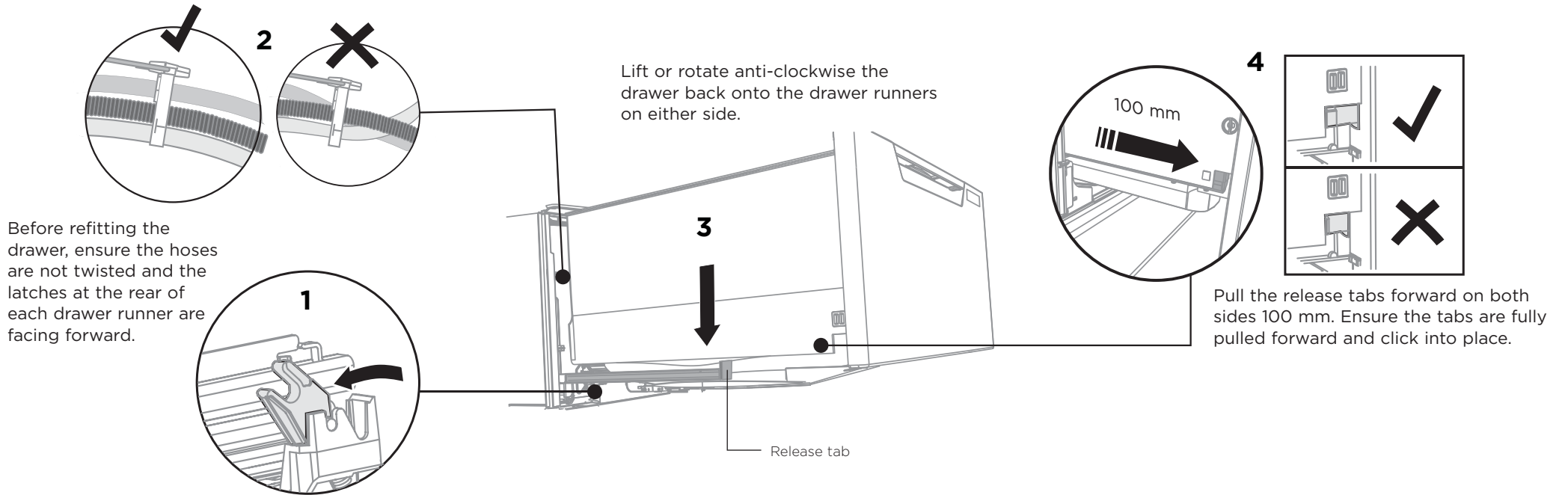


two pairs of formed brackets on either side of the chassis (use 16 mm screws)

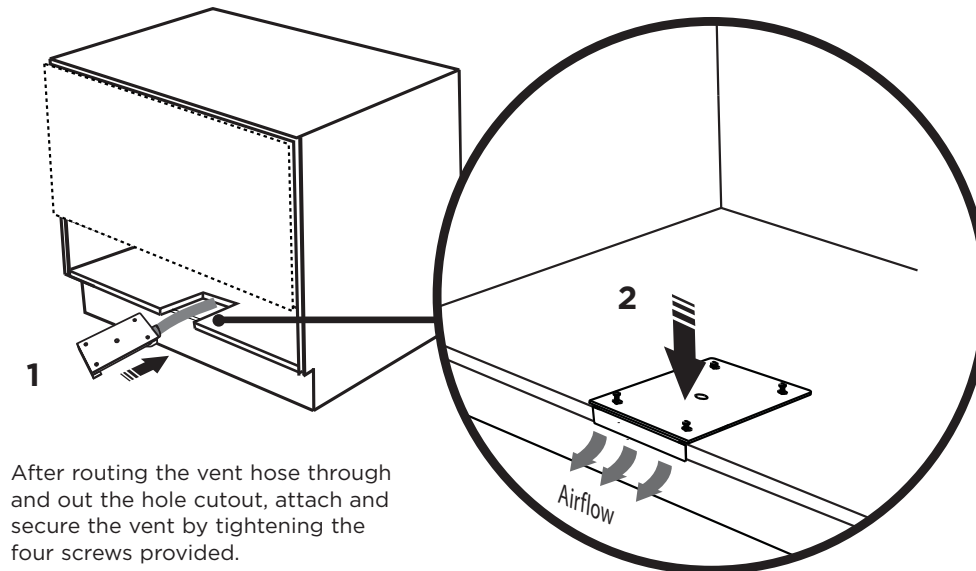


a pair of fixing holes either side on the bottom (use 38 mm fixing screws & washers)

14-B REFIT THE DRAWER ONTO THE RUNNERS

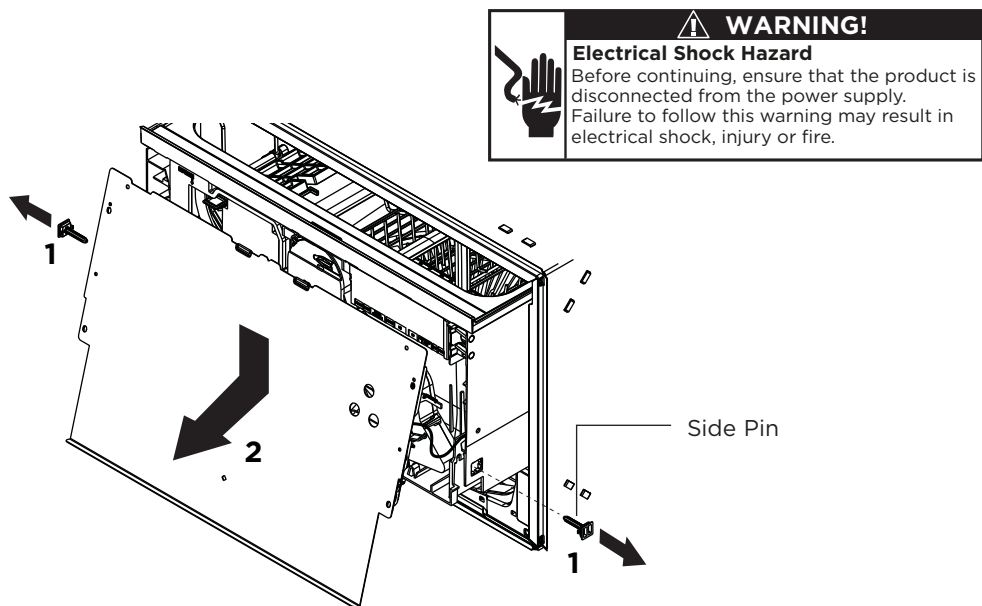


15-B SECURE THE EXTERNAL VENT

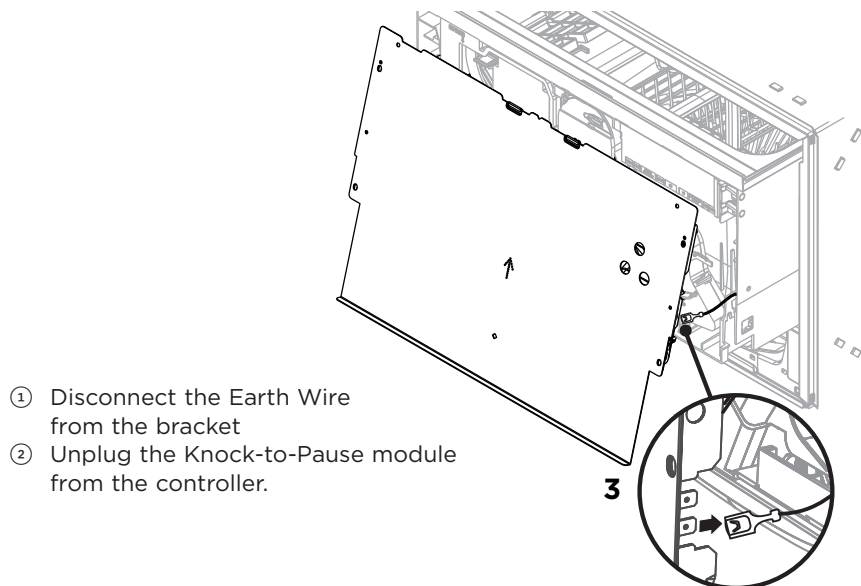


16 INSTALLING A CUSTOM FRONT DRAWER PANEL

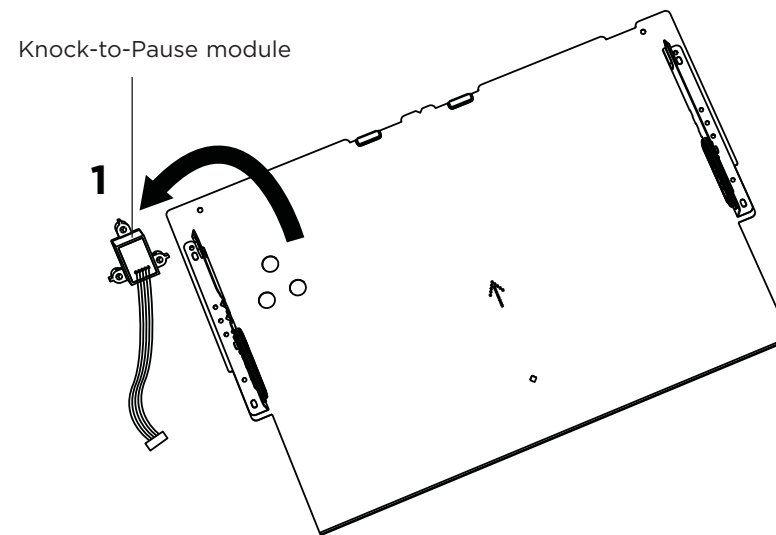
16-A REMOVE PANEL BRACKET FROM PRODUCT



Remove side pins and gently pull off the panel bracket slightly.



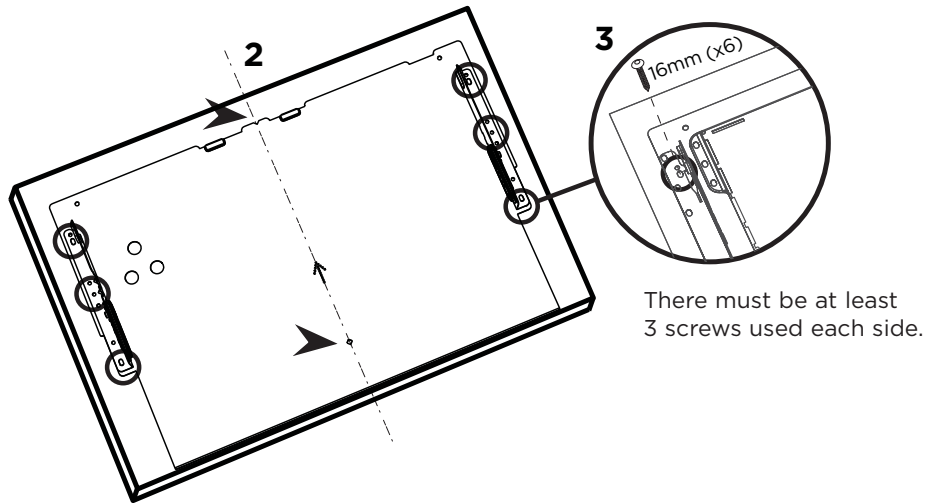
16-B REMOVE THE KNOCK-TO-PAUSE MODULE



Remove the Knock-to-Pause module from the back of the bracket.

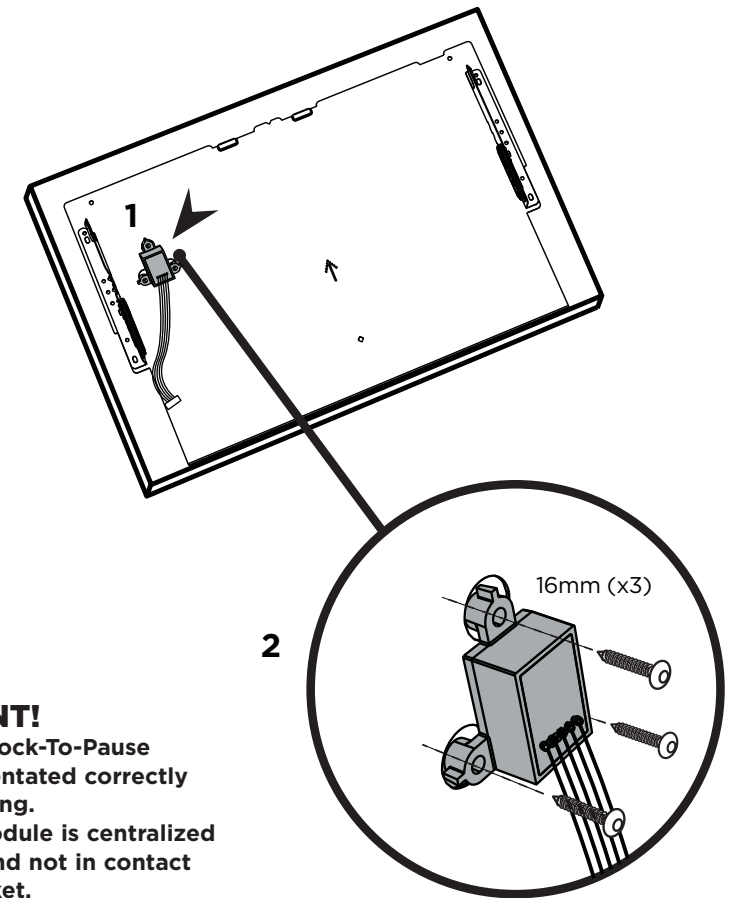
16 INSTALLING CUSTOM FRONT DRAWER PANELS

16-C ATTACH CUSTOM PANELS TO PANEL BRACKETS



Align bottom of each custom panel with the bottom of each bracket.

16-D ATTACH KNOCK-TO-PAUSE MODULE TO CUSTOM PANEL



IMPORTANT!

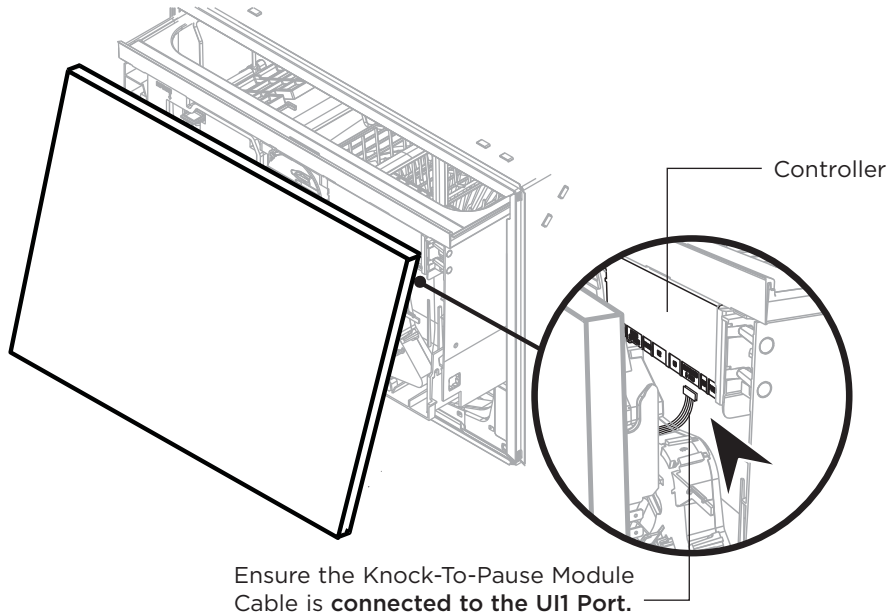
- Ensure the Knock-To-Pause module is orientated correctly before attaching.
- Ensure the module is centralized in the holes and not in contact with the bracket.

Attach the Knock-To-Pause module to the back of the custom panel through the 3 holes cut into the panel bracket as shown.

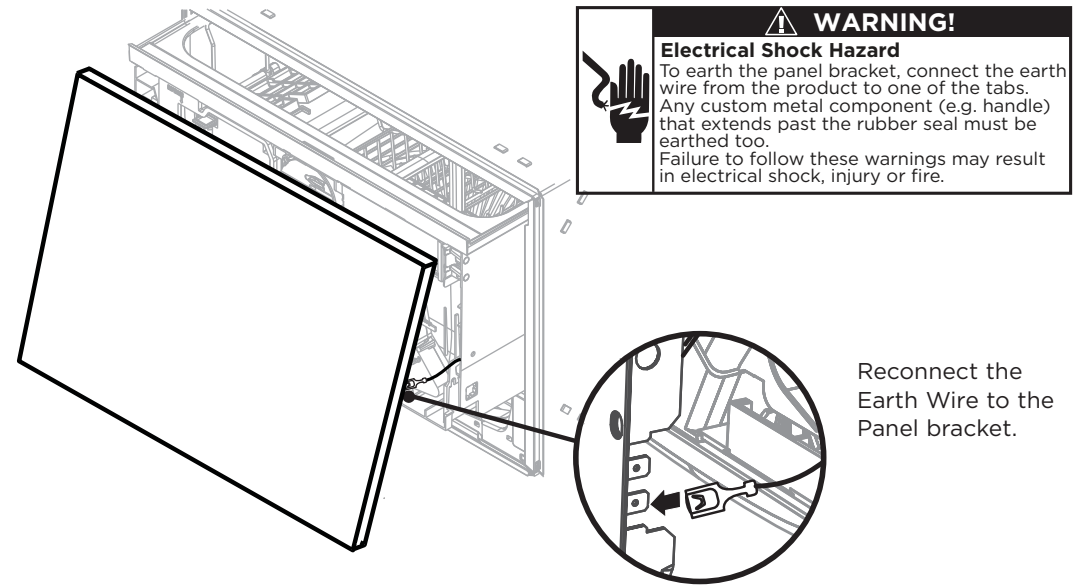
Use all 3 screws provided.

16 INSTALLING CUSTOM FRONT DRAWER PANELS

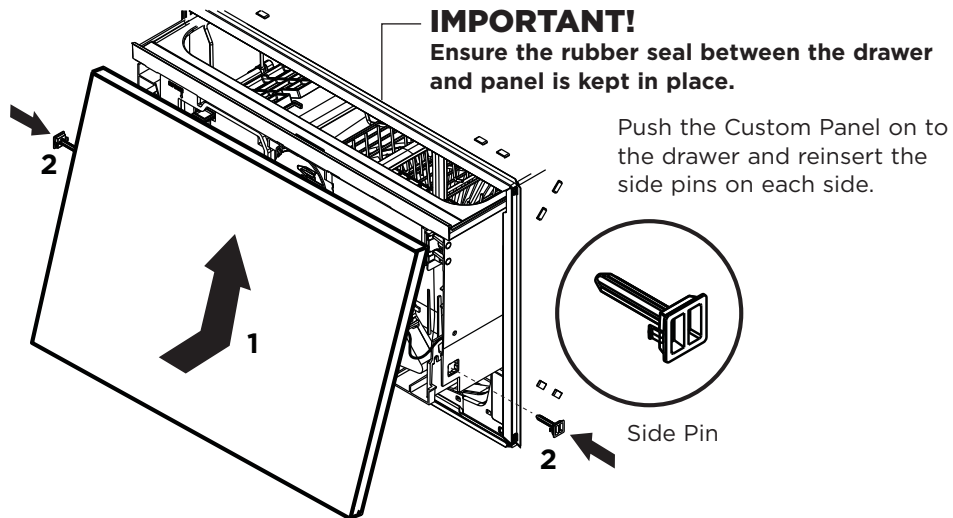
16-E CONNECT THE KNOCK-TO-PAUSE MODULE TO THE CONTROLLER



16-F RECONNECT THE EARTH WIRE TO THE PANEL BRACKET



16-G ATTACH CUSTOM PANEL TO PRODUCT



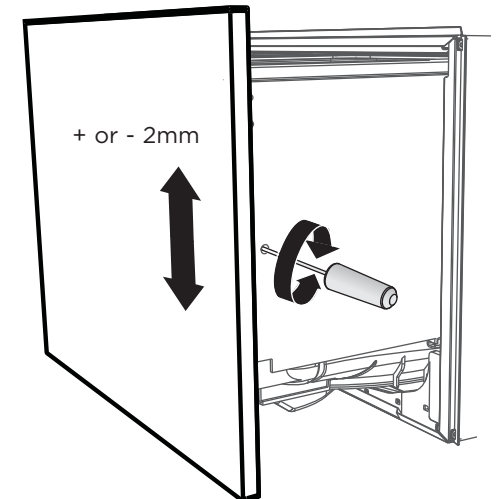
16-H ADJUST CUSTOM PANEL HEIGHT TO ALIGN CABINETY GAPS

With the front panels fitted, insert an appropriately sized Philips screwdriver into the hole above the side pin and rotate the panels up or down to align the gaps in your cabinetry.

Repeat on the other side if necessary.

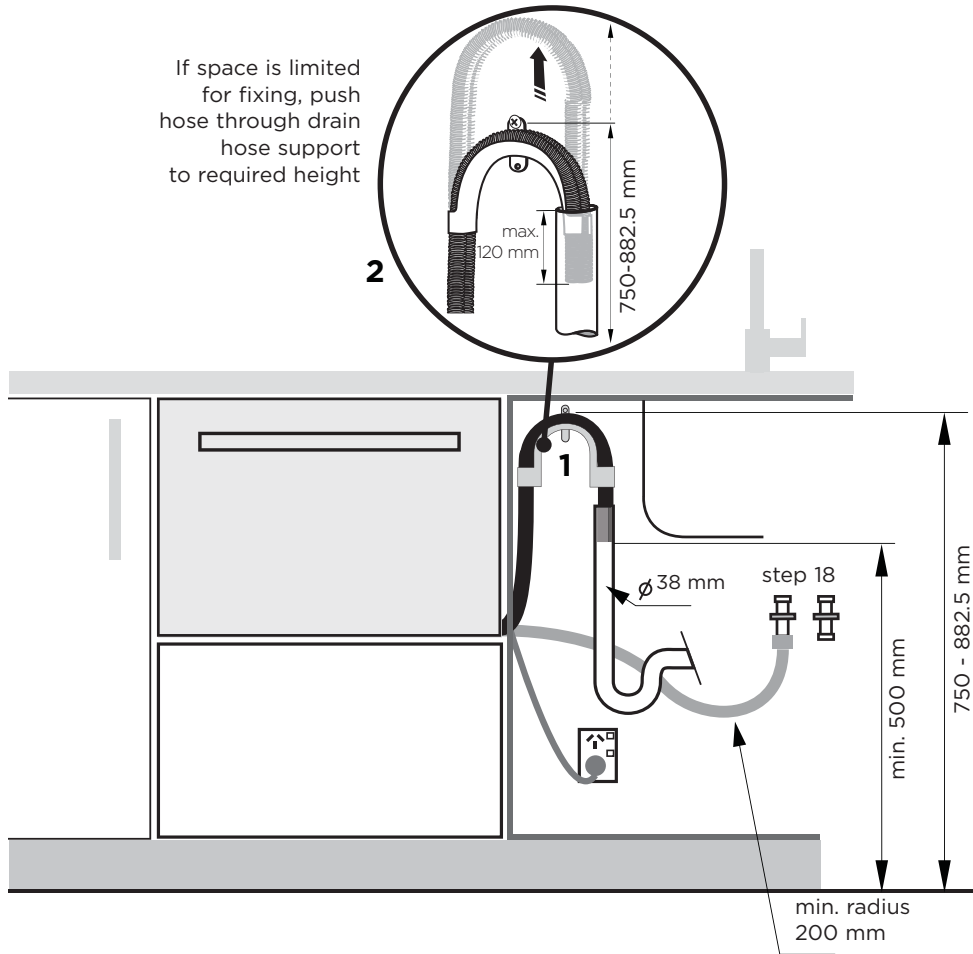
Each panel has a maximum travel of 2mm up or down.

IMPORTANT! Ensure that you maintain a minimum of 2mm ventilation gap below the panel.

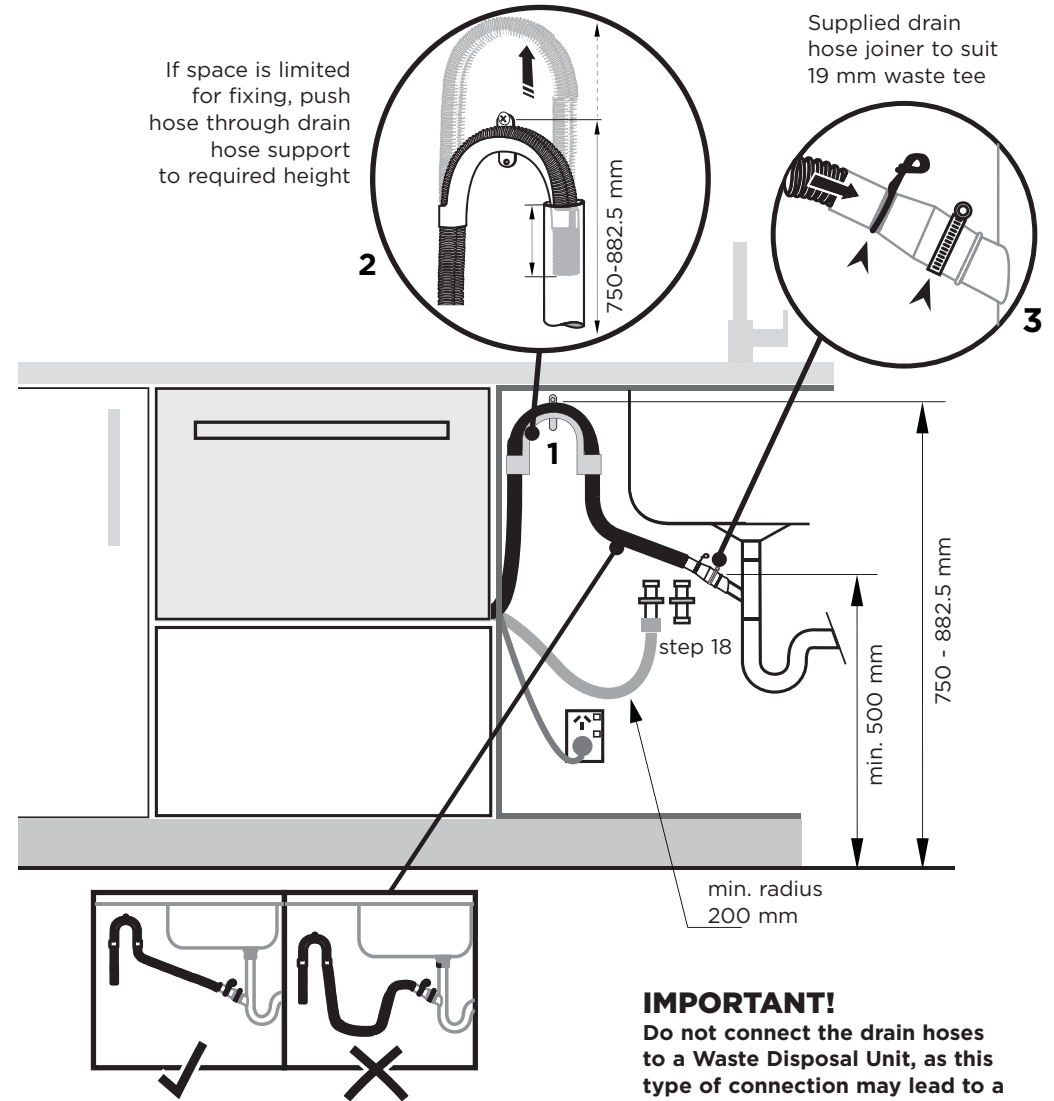


17 THERE ARE TWO DIFFERENT PLUMBING AND DRAINAGE OPTIONS. CHOOSE WHICH IS MORE SUITABLE.

Dishwasher and Ø 38 mm Standpipe



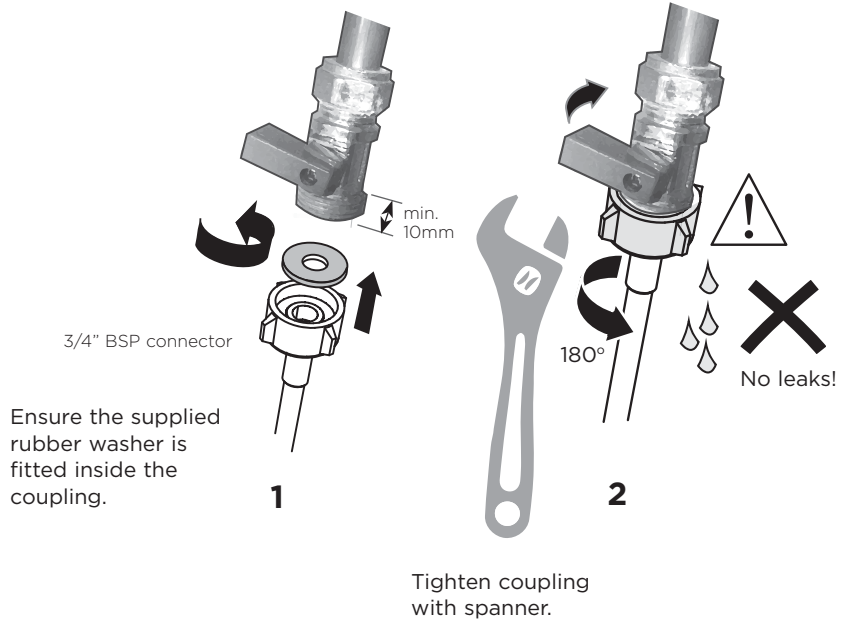
Dishwasher using drain hose joiner onto sink trap/waste tee



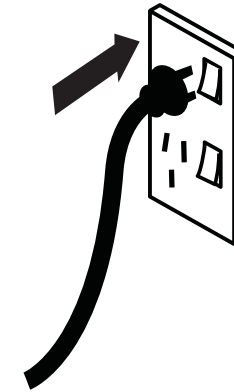
IMPORTANT!
Do not connect the drain hoses to a Waste Disposal Unit, as this type of connection may lead to a blockage in the drain hoses.

Ensure drain hose is routed straight to joiner. Remove excess drain hose material if necessary. Do not shorten the inlet hose.

18 CONNECT INLET HOSE TO COLD WATER



19 PLUG PRODUCT IN

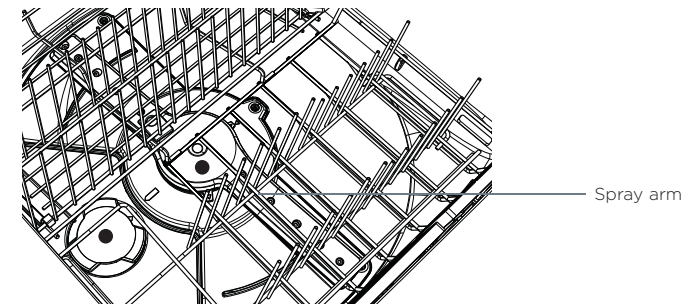


- **Excessive water remaining above the filter plate, after the rinse cycle. (This is displayed as an A3 fault. See user guide 'How to attend to a fault')**
Check for a kinked drain hose, blocked or incorrectly drilled out waste connection, highloop not properly installed, drain hose not routed correctly or spray arm not in place.
- **No water supply. (This is displayed as an A1 fault. See user guide 'How to attend to a fault')**
Check water is connected and turned on.
- **The dishwasher is beeping continuously**
There is a fault. See section 'How to attend to a fault'in the User guide for further information and instructions.
- **No program indicator lights up when the drawer is opened**
Ensure power is connected and is switched on. If it is and still no indicator lights up, see the 'Preference options' section of the 'Quick start guide'.
An option called 'Open drawer auto power-on' may need to be turned on.
- **Water around water supply and drainage connections**
Check connections, existing plumbing and hoses for leaks. Check rubber washer and hose clamp are correctly fitted.
- **If product is tipping**
Ensure the product is secured to the cabinetry.
- **Drawer doesn't close properly**
Ensure nothing is obstructing the drawer from closing properly eg hoses or drawer latches.
- If a problem occurs, consult the 'Troubleshooting' section of the User guide.
- If after checking these points you still need assistance, please refer to the Service & Warranty book for warranty details and your nearest Authorised Service Centre, or contact us through our website, listed below.

✓ **TO BE COMPLETED BY THE INSTALLER**

- Check all parts are installed.
- Ensure that all panels and parts thereof are secure and final electrical tests have been conducted in accordance with local electrical regulations.
- Ensure product is level, securely fastened to the cabinetry and opens and closes freely. The drawers must be free to fully close with no resistance from the cabinetry.
- Ensure inlet hose to water supply has supplied rubber washer fitted, and that it's tightened a further half turn after seal contact.
- Ensure any knockouts or plugs in drain connection have been drilled out and drain connection has been made.
- The drain hose joiner must not support the weight of excess hose material. Keep drain hose as fully extended as possible to prevent sagging. Any excess length of drain hose should be kept on the dishwasher side of the highloop.
- If connecting the drain hose to the sink trap, ensure the Highloop is a minimum 150 mm higher than the drain hose joiner.
- Ensure any packaging or tape securing the racks is removed from the drawers.
- Water softener models only: adjust the water softener setting from the default setting to suit the water hardness of the area. See the Quick start guide and section 'Water softener' in the User guide.

- Turn on the power and water supplies, then open the drawer. You should hear a beep and see a program indicator light up on the control panel.
- Check the spray arms are in place, mounted correctly and free to rotate, by physically rotating by hand.



- Add three cups of water into the drawer. Press >> until the indicator of the 'Rinse' program lights up. Close the drawer and press ▶|| to start the program.
- When the test cycle is in process check the knock sensor is working by knocking twice on the door to pause the wash program.
- After the Rinse program has finished, ensure the dishwasher has run and drained correctly.
- Check the water supply has correctly shut off and drainage connection for leakage.

Complete and keep for safe reference:

Model _____

Serial No. _____

Purchase Date _____

Purchaser _____

Dealer Address _____

Installer's Name _____

Installer's Signature _____

Installation Company _____

Installation Date _____

FISHERPAYKEL.COM

Copyright © Fisher & Paykel Appliances 2018. All rights reserved.
 The product specifications in this booklet apply to the specific products and models described at the date of issue. Under our policy of continuous product improvement, these specifications may change at any time. You should therefore check with your Dealer to ensure this booklet correctly describes the product currently available.

